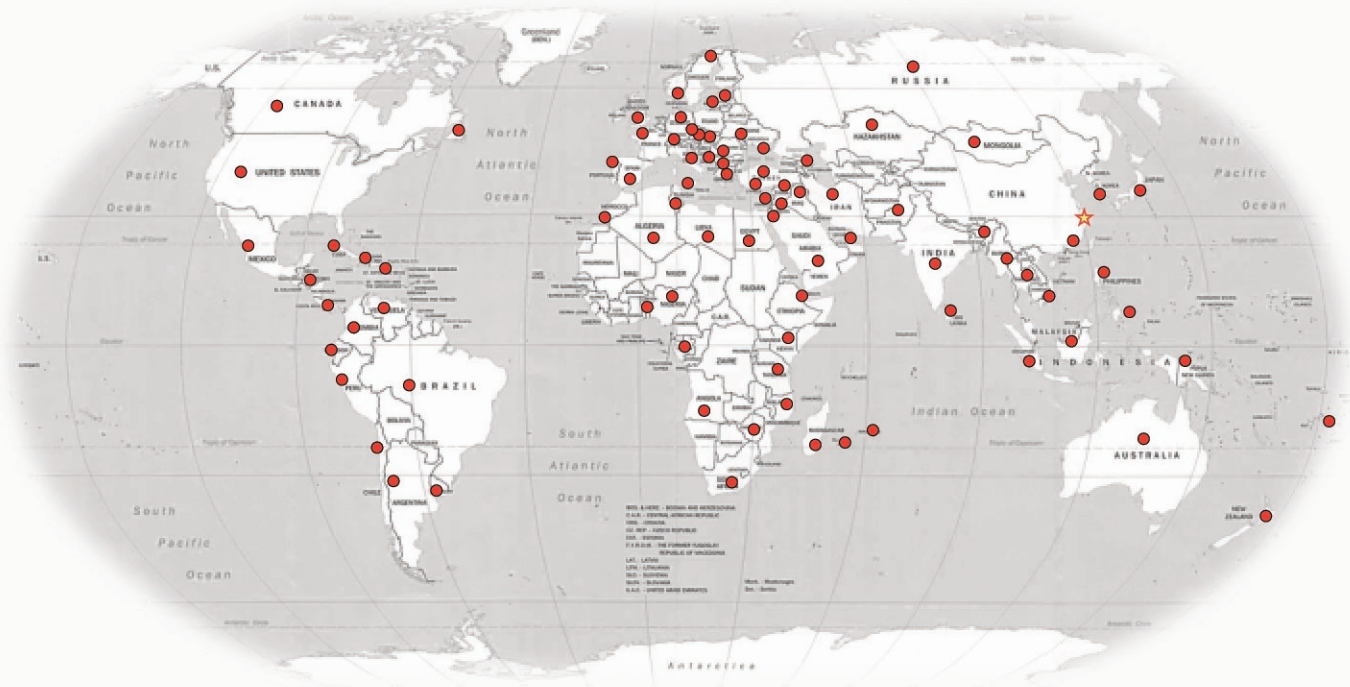


# GLOBAL SALES NETWORK



## R Series 1.0/1.5/1.8t Diesel



CE CERTIFICATE



ISO14001: 2004



ISO9001: 2008

**HANGCHA GROUP CO., LTD.**  
(Zhejiang Hangcha Imp. & Exp. Co., Ltd.)

[www.hcforlift.com](http://www.hcforlift.com)

Add: 398 Shi Qiao Road, Hangzhou Zhejiang province, China (310022)  
Factory site: No. 88, Donghuan Rd., Economic Development Zone Lin'an, Zhejiang, China (311305)  
Tel: +86-571-88926755  
Fax: +86-571-88926789 88132890  
E-mail: [sales@hcforlift.com](mailto:sales@hcforlift.com)

HANGCHA GROUP CO., LTD. Reserves the right to make any changes without notice concerning colors, equipment, or specifications detailed in this brochure, or to discontinue individual models. The colors of trucks, delivered may differ slightly from those in brochures.

2014 VERSION 2/COPYRIGHT 2014/04

**HANGCHA GROUP CO., LTD.**

simple. Easy: **SERVICE**  
simple, comprehensive: **PANEL**  
strong, wide view: **MASTS**  
so much footroom: **DRIVER ROOM**

### INTRODUCTION

The new generation R series forklift is combined with durability and ergonomics, providing productivity unmatched by other forklifts and the comfort for hours of tireless operation. Add friendliness to the environment, simple servicing, efficiency on the job, high standards of safety---it's the perfect tool for the most demanding application.

### EFFICIENCY

Thanks to the long wheelbase design, the longitudinal stability of whole truck is much better, the hoisting capacity at same lift height are enhanced by an average of 100kg compared with former truck. At the same time, it prolongs work time of rear wheel as the reduced rear axle's load.

Increasing the hard proportion of hydraulic pipe, adopting right angle connector or straight through connector, that reduce the pressure loss of pipeline, and raise the lifting speed of mast, the speed is increased by an average of 10% compared with former truck.

Turning radius and width of right angle stacking aisle are decreased through reducing the dimensions of whole truck, that raise the efficiency of storehouse.



### SERVICING

Easy opened engine cover and one-touch removal of the floorboard get you right to service operation, and reduces down-time.

The reasonable arrangement of fuse and installation of instrument, enable the replacing for fuse and maintenance for instrument more easy.

### ENVIRONMENT FRIENDLY

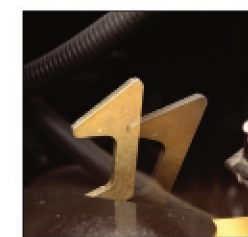
The environment friendly engines all meet related emission control regulation. The noise emission also comes up to EU standard.

The Metal hood and molding sound insulation matches environmental protection demands.

### SAFE

A throttling device is set in pipe system, the mast won't result in failing control of mast even some pipes broke.

By using a built-in hood lock device, the safe level of the truck has been raised.



**F**or more than 30 years, **HANGCHA GROUP CO., LTD.** Has played a leading role in the manufacture and production of Chinese forklift industry . We constantly strive to develop and incorporate the latest advances in forklift design and technology to ensure that our products provide an optimum level of performance, all the time. Our new generation R series of forklifts truly exemplifies this commitment to excellence.

- The clearance between the steering axle and support rod can be adjusted, to improve the adaptability for ground.
- The pin of the tilt cylinder adopts a build-in grease fitting, which enables the greas fitting more dependable.
- The high performance specific tires for forklift trucks increase the work life of tires much more.

durable: **HYDRAULICS**  
 clean, reliable: **ENGINES**  
 progressive: **BRAKES**  
 cool, smooth: **TRANSMISSION**

### APPEARANCE

The latest appearance design method was used to create the R series fluent and aesthetic outline, that matches the latest appearance trend.

The large engineering plastic covering enables the whole truck looks friendly and natural.

### TRANSMISSION & ENGINE

The HC transmission(made in China with the Japanese technique),applies advanced structure and dependable function.The engine can be chosen among ISSUE, YANMAR and XINCHAI diesel engine.



#### ISUZU C240

Displacement  
**2369 cc**  
 Rated output:  
**34.5 Kw/2500rpm**  
 Rated torque:  
**139 N·m/1800rpm**

### OPERATION

Adopted advanced ergonomic technology optimizes the design of control system, improves the comfortable of operation much more.

Adopted advanced vibration-reduction technology designs each part's vibration reduction, reduces the whole truck vibration. Among them, the hood is designed to full floating type, and vibration reduction device for steering axle enables the operation more comfortable.



The torque converter models adopt electronic-hydraulic forward-reverse control technology, meaning less effort and less total time used during this often-performed function.

Adopted recently developed redirector decreases the steering wheel force to 6~8N only ,that reduce 50% compared with former truck.

The grease fittings and bushes added around the shaft of control mechanism decreases the force of pedal, that are reduced 30% compared with former truck.

### COOLING SYSTEM

Newly adopted combined type aluminum radiator improves the radiator cooling performance greatly.

Advanced heat dissipation technology improves heat dissipation channel, that enhances the truck heat dissipation capability further, the water temperature is reduced 15% compared with former truck.

### CYLINDER

Oil seal rings used for tilting cylinder, lifting cylinder and turning cylinder all adopt the first class international product, the sealing performance has been proven through ten of thousands fatigue test.

The soft landing system for lifting cylinder decreases the level of noise and shock when the mast lowered to termination phase.

### BRAKES

The 1-1.8t forklifts all adopt the new type drum brake. waterproof slot on the brake drum and framework oil seal on the axle tube avoid water or oil entering the brake drum, enable the dependability of brake to raise consumedly.



### Options

- 2.0-4.5m duplex mast
- 2.5-4.0m full free duplex mast
- 4.3-6.5m triplex mast
- Special carriage and backrest
- Other dimension forks
- Dual drive wheel with fender
- Solid tyre
- Non-marking tyre(white,green)
- Cabin
- Heater and air conditioner
- Fire extinguisher
- Semi-suspension seat or full-suspension seat
- Dual air cleaner or special air cleaner
- Rear working light
- Customer painting
- Auxiliary hydraulic valve modules
- High-mounted exhaust system
- Middle-mounted exhaust system
- Spark arrester
- Purified exhaust system
- Radiator screen
- Sideshifter
- Integrated sideshifter
- Other attachment

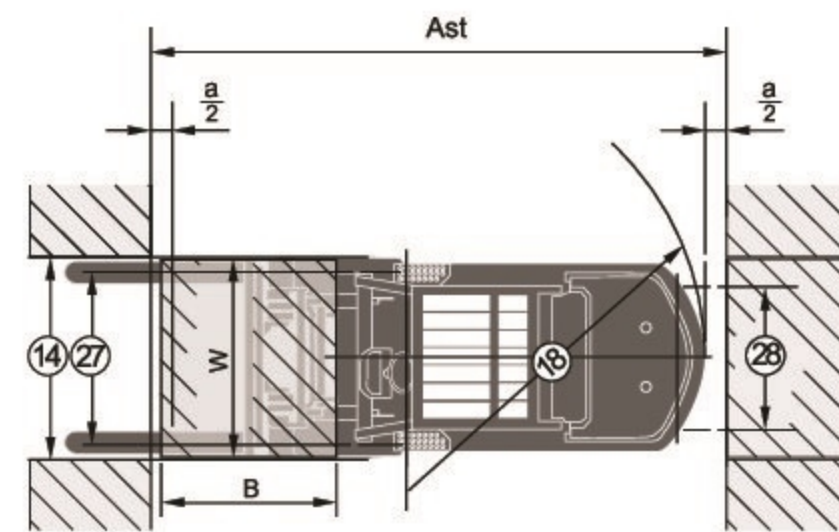
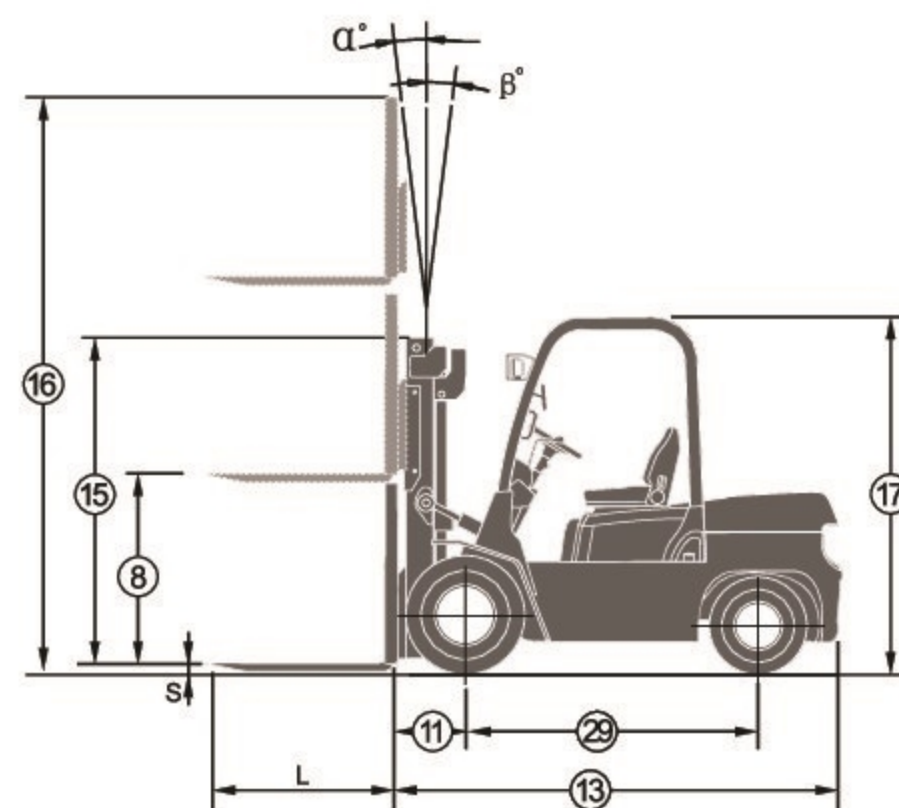
R series 1.0-1.8t forklift specification:

		HANGCHA GROUP CO.,LTD.			HANGCHA GROUP CO.,LTD.			HANGCHA GROUP CO.,LTD.						
		CPCD10N			R15D			R18D						
General		RW10	RW32	RG26	RW10	RW32	RG26	RW10	RW32	RG26				
1	Manufacture	HANGCHA GROUP CO.,LTD.												
2	Basic model	CPCD10N												
3	Type	RW10	RW32	RG26	RW10	RW32	RG26	RW10	RW32	RG26				
4	Power type	Diesel												
5	Rated capacity	1000												
6	Load center	500												
7	Lift height	3000												
8	Free lift height	155												
Characteristics & Dimensions		920×100×35												
9	Fork size	L×W×T												
10	Mast tilt range	F / R												
11	Fork overhang(Wheel center to fork face)	405												
12	Rear overhang	420												
13	Overall dimensions	Length to face of fork	2225											
14		Overall width	1080											
15		Mast lowered height	1995											
16		Mast extended height	3960											
17	Overhead guard height	2130(2190*)												
18	Turning radius(outside)	1970												
19	Min. right angle stacking aisle width (Add load length and clearance)	2330												
Performance		14.5												
20	Speed	Travel (No load)	14.5											
21		Lifting (Full load)	460											
22		Lowering (Full load)	450											
23	Max.Drawbar Pull (Full load)	20500	15900	19500	20500	15900	19500	20500	15900	19500				
24	Max.Gradeability (Full load)	20												
25	Tyres	Front	6.50 -10 -10PR											
26		Rear	5.00 - 8 - 10PR											
27	Tread	Front	890											
28		Rear	900											
29	Wheelbase	1400												
30	Ground clearance	Lowest	115											
31		Wheelbase center	145											
32	Service weight	2450												
33	Weight Distribution	Full load	2940 / 510											
34		No load	1290 / 1160											
Chassis		12 / 60												
35	Battery	Voltage/Capacity(20HR) V/Ah												
36	Engine	Model	C240PKJ-30	4TNE92-HRJ	NC485BPG	C240PKJ-30	4TNE92-HRJ	NC485BPG	C240PKJ-30	4TNE92-HRJ	NC485BPG			
37		Manufacture	ISUZU	YANMAR	XINCHAI	ISUZU	YANMAR	XINCHAI	ISUZU	YANMAR	XINCHAI			
38		Rated output	kW/r/min	34.5 / 2500	32.8 / 2450	30 / 2600	34.5 / 2500	32.8 / 2450	30 / 2600	34.5 / 2500	32.8 / 2450	30 / 2600		
39		Rated torque	N·m/r/min	137.7 / 1800	149.4 / 1600	131 / 1600	137.7 / 1800	149.4 / 1600	131 / 1600	137.7 / 1800	149.4 / 1600	131 / 1600		
40		No. of cylinder	4											
41		Bore×Stroke	86×102			92×100			86×102			92×100		
42		Emission STD.	Stage IIIA			Stage IIIA / Tier 4 Interim			Stage IIIA			Stage IIIA / Tier 4 Interim		
43		Displacement	ml	2369	2659	2270	2369	2659	2270	2369	2659	2270		
44	Fuel tank capacity	L	50	50	50	50	50	50	50	50	50			
45	Transmissions	Manufacture	CHINA											
46		Type	Powershift											
47		Stage	FWD / RVS											
48	Operating pressure	For attachments	Mpa											

Note: \*With suspension seat or cabin.

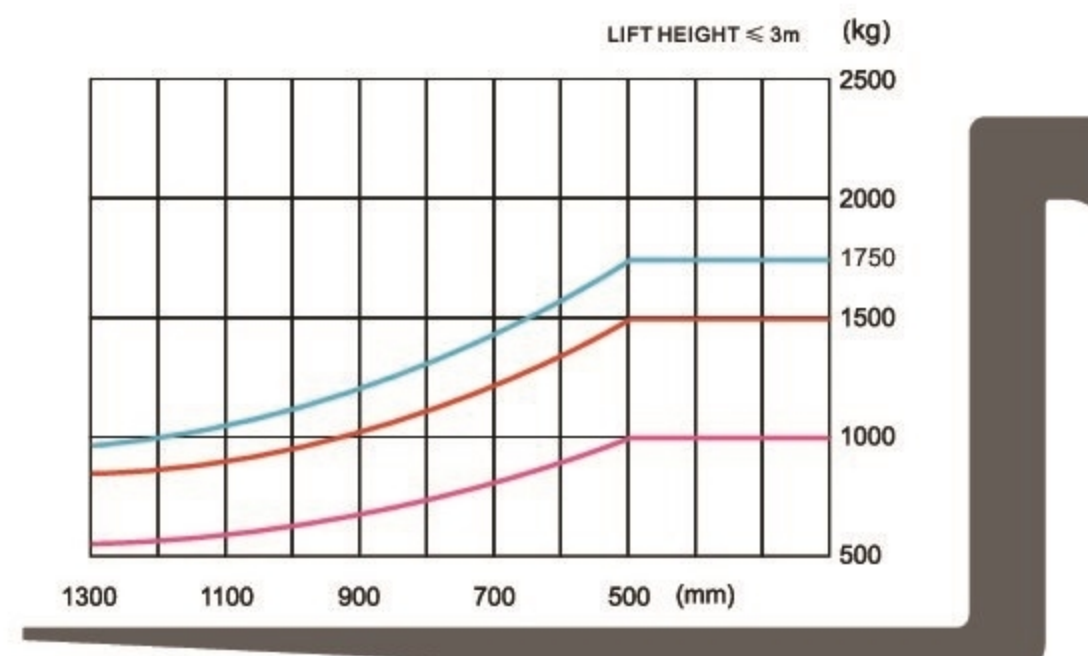
- Special lifting height available ( Duplex mast: 2.5m, 2.7m, 3.0m, 3.3m, 3.6m, 4m, 4.5m. Triplex mast: 4.3m, 4.5m, 4.8m, 5m, 5.5m, 6m )
- Attachment available.
- The specifications in the table are for standard models only. For further information please contact us.
- Specifications are subject to change without notice.

DIMENSIONS



a = 200 mm safety clearance  
AST = ⑪ + ⑫ + a + B

LOAD CHART



1.0 ~ 1.8t R series mast: ( pneumatic )

Type	Model	Max. fork height	Overall height			Free lift		Front Overhang		Tilt range		Capacity								
			Lowered	Extended		Without backrest	With backrest	1/1.5t	1.75t	FWD	BWD	Load capacity at 500 mm								
				Without backrest	With backrest							Single tire			Double tire					
		mm	mm	mm	mm	mm	mm	mm	mm	mm	mm	mm	mm	mm	mm	mm	mm	mm	mm	
Wide view mast	R15 / 18M200	2000	1495	2585	2955	155	155	405	410	6	12	1000	1500	1750	1000	1500	1750			
	R15 / 18M250	2500	1745	3085	3455	155	155	405	410	6	12	1000	1500	1750	1000	1500	1750			
	R15 / 18M270	2700	1845	3285	3655	155	155	405	410	6	12	1000	1500	1750	1000	1500	1750			
	R15 / 18M300	3000	1995	3585	3955	155	155	405	410	6	12	1000	1500	1750	1000	1500	1750			
	R15 / 18M330	3300	2145	3885	4255	155	155	405	410	6	12	1000	1500	1750	1000	1500	1750			
	R15 / 18M350	3500	2245	4085	4455	155	155	405	410	6	12	1000	1500	1750	1000	1500	1750			
	R15 / 18M360	3600	2345	4185	4555	155	155	405	410	6	12	1000	1500	1750	1000	1500	1750			
Wide view full free Duplex mast	R15 / 18M400	4000	2595	4585	4955	155	155	405	410	6	12	950	1400	1650	1000	1500	1750			
	R15 / 18M430	4300	2745	4885	5255	155	155	405	410	6	6	900	1300	1550	950	1400	1650			
	R15 / 18M450	4500	2845	5085	5455	155	155	405	410	6	6	850	1250	1450	900	1350	1550			
	N15 / 18U250	2500	1760	3105	3455	1095	815	428	433	6	12	1000	1500	1750	1000	1500	1750			
	N15 / 18U270	2700	1860	3305	3655	1195	915	428	433	6	12	1000	1500	1750	1000	1500	1750			
	N15 / 18U300	3000	2010	3605	3955	1395	1055	428	433	6	12	1000	1500	1750	1000	1500	1750			
	N15 / 18U330	3300	2160	3905	4255	1545	1215	428	433	6	12	1000	1500	1750	1000	1500	1750			
Wide view full free Triplex mast	N15 / 18U360	3600	2310	4205	4555	1695	1365	428	433	6	12	1000	1500	1750	1000	1500	1750			
	N15 / 18U400	4000	2560	4605	4955	1865	1615	428	433	6	12	950	1400	1650	1000	1500	1750			
	N15 / 18N430	4300	2110	5070	5255	1350	1165	445	450	6	6	850	1250	1450	900	1350	1550			
	N15 / 18N450	4500	2120	5130	5465	1510	1175	445	450	6	6	800	1200	1350	850	1300	1450			
	N15 / 18N480	4800	2235	5445	5755	1600	1290	445	450	6	6	750	1100	1250	800	1200	1350			
N15 / 18N500	5000	2285	5605	5955	1690	1340	445	450	6	6	700	1050	1150	750	1150	1250				
N15 / 18N550	5500	2460	6120	6455	1850	1515	445	450	3	6	/	/	/	600	950	1050				
N15 / 18N600	6000	2685	6695	6955	2000	1740	445	450	3	6	/	/	/	450	750	850				

With sidershifter minus 150Kg, with integral sidershifter minus 100Kg.