

**PACKED WITH
SMARTNESS**

STAGE



25L/30L/33L/35LN-9A

500 mm load center



ECONOMIC ENGINE



**HEAVY-DUTY
POWER TRAIN**



**HIGH-END FINGERTIP
SYSTEM**



**FULL CONTROL
CLUSTER**



**BEST STANDARD
WARRANTY**

STAGE V AND BEYOND

Hyundai's new L-9A Series is a smart generation of material handling LPG forklifts that comply with the European Stage V emission levels. But it goes much further than that!

In our mission, 'Moving you Further', Hyundai's engineers aimed for a **ground-breaking level of customer satisfaction** with **maximum performance and productivity**, higher **operator comfort**, better **safety** and **improved uptime management**.

Our new L-9A forklifts feature a robust exterior design and are packed with performance-enhancing features that open up a world of new possibilities to tackle all the challenges you face in your logistics business.



PACKED WITH SMARTNESS

Productivity & Efficiency

POWERFUL AND FUEL-EFFICIENT TO REDUCE TCO (TOTAL COST OF OWNERSHIP)

10 years
Proven technology

The Hyundai legacy of reliable technology continues with an optimised engine. This fully electronic-controlled engine and high-end LPG system with a catalyst have been in use over the last 10 years. Compliance with the European Stage V environmental regulation was made possible by the adoption of one sensor. This proven technology stands for high durability and the lowest fuel consumption possible.



LPG gas level warning

The LPG system is equipped with a pressure control system. When the gas bottle is almost empty, the operator will be informed by a beeping sound and an indication in the cluster. This allows the operator to change the bottle in time with optimal use of its resources. This increases cost efficiency and productivity.

Unparalleled fuel efficiency NEW



The L-9A series is equipped with a powerful 2.4L HMC L4KB LPG engine that produces 44.7 KW while complying with European Stage V environmental regulations. It also achieves **impressive cost savings** by delivering excellent performance with low fuel consumption rates.



- Featuring the optimal displacement for a forklift, the HMC L4KB engine comprises a timing chain, a high-end fully electronic-controlled LPG system with a catalytic converter and two oxygen sensors.
- The adaptive LPG system continuously seeks the most fuel efficient way of running, in order to keep the TCO as low as possible.
- A speed reduction switch is mounted on the dashboard, which activates a limited driving speed. The speed limit is programmable.

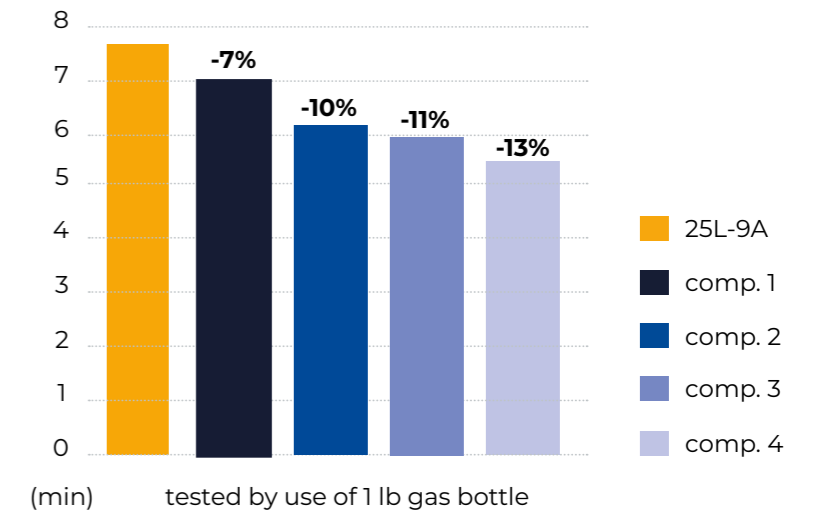
Forklift standard warranty*

2 years

or 3,000 hours, whichever comes first.

Fuel consumption

We tested the fuel consumption of 4 different competitor machines compared to a 25L-9A. All machines were tested with a **1 lb gas bottle and under the same conditions**. Thanks to the high-end LPG system, our machine **runs longer with the same amount of gas**.



Speed reduction mode

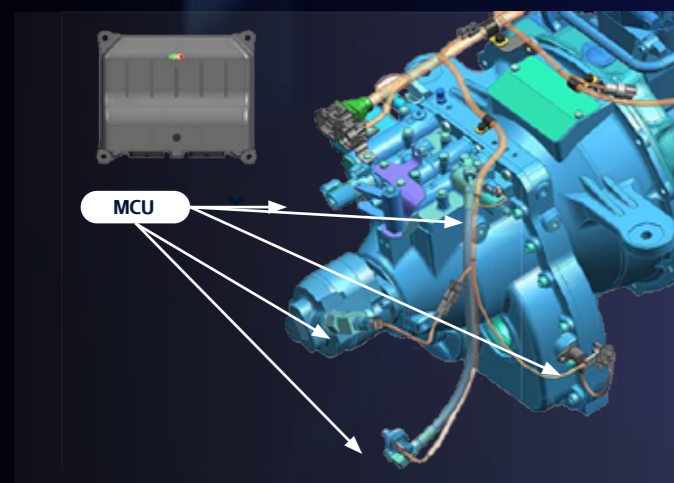
A **speed reduction** can be programmed and be activated using a switch on the dashboard. In the event of an emergency, the **LPG gas supply** can be disconnected using a switch.

*Conditions may be subject to change. Please contact your dealer to have the latest information and find the optimal solution for your needs.

Productivity & Efficiency

A LEGACY OF EXCELLENCE: HIGH-DURABILITY POWERTRAIN

The drive-axle **with wet disc brakes** and transmission has proven its durability even in the toughest applications. They're mounted **on rubber dampers**, which significantly reduce noise and vibration, thus providing a smoother driving experience for the operator.



All driving functions are controlled and monitored by the Machine Control Unit (MCU). The MCU software can even be updated, which makes this concept future-proof.



FULL DIAGNOSTICS FOR SMOOTH OPERATIONS AND REDUCED COSTS

- The L-9A Series features an enhanced instrument cluster with an easy-to-use, full colour display, enabling a **full set-up, diagnostics and maintenance follow-up**. More features like the **DCSR system (prevents high-speed directional change)** are available for activation. The DCSR system reduces tyre wear and protects the transmission in order to reduce **operating and servicing costs**.



- The drive axle is equipped with a **planetary reducing gear** offering resistance to torque changes. Wet disc brakes ensure an optimal brake performance at any application. Thanks to long service intervals, the wet disc brake system also **reduces maintenance costs and downtime**.



* Photo may include optional equipment

Operator Comfort

OUTSTANDING ERGONOMICS FOR PRODUCTIVITY AND OPERATING PLEASURE

The cabin is designed to provide every operator with a comfortable working environment that boosts productivity and reduces fatigue, even in tough working conditions. The most important controls are positioned within easy reach and a range of options helps you to tailor the cabin to your needs.



* Photo may include optional equipment

“The L-9A-series stands for high durability and the lowest fuel consumption possible. I feel I’m getting the most out of it every working day.”

Better visibility and cabin comfort

The mast, carriage, and head guard are designed to provide the operator with **maximum visibility** for improved efficiency and **peace of mind** while working.

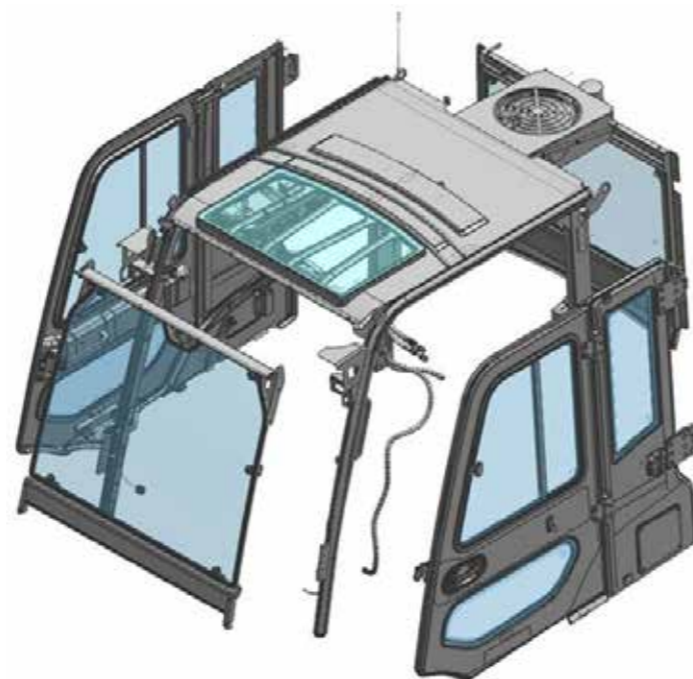
A **premium quality Grammer seat** is installed as standard, ensuring a comfort-able driving position all day, even in rough working conditions.

The spacious full floating cabin with air-conditioning and/or heater is available as:

- Partial cabin
- 1-door or 2-door (split type) version

Several air-ducts, like the windshield defrosting air duct, are integrated in the headliner for perfect air-distribution inside the cabin for more comfort.

Cabin options OPTION



LED lights OPTION



The LED lights offer the optimal visibility under any circumstances.

Rear grip OPTION

While driving backwards, the grip offers comfort to the operator. The integrated horn button increases safety.



Adjustable steering column

The steering column is very easy to adjust using a simple hand grip. It allows the operator to find the most comfortable position. The parking brake and hazard switch are in perfect reach of the operator.



Operator Comfort

TECHNOLOGY AT YOUR FINGERTIPS FOR FULL CONTROL

The enhanced cluster makes it easier to manage and control all key functions. For best-in-class operating sensitivity, these Stage V forklifts can be further equipped with fingertip control, allowing optimal usage and thus improving productivity.



Enhanced control cluster

The enhanced instrument cluster makes it easier to manage the machine set-up, diagnostics and maintenance. All settings can be entered directly into the cluster, eliminating the need for an external computer.

- **Key monitoring functions:** OPSS, equipment posture maintenance, clock, service hour meter, temperature and driving direction
- **Configuration and diagnosis:** maximum driving speed, maintenance management, engine diagnosis, passcode setting
- **Additional functions (option):** rear view camera, load indicator, auto-tilt levelling

The above functions are available in 13 languages via the cluster.



"The cabin fits my needs. I can just relax and get on with the job. The fingertip controls are so intuitive that it feels as if the truck is an extension of myself."

Fine-tuned fingertip control for faster response **OPTION**



To ensure **top-class fingertip control**, Hyundai is partnered with **Hawe**.

- The working speed of all functions is programmable in the cluster.
- The response time and fine-tuning capability of the fingertip control system are improved, thanks to the Load-sense control system.
- The directional switch is integrated into the fingertip console for more comfort.

Better operating sensitivity



- The manual levers are in perfect reach for the operator, next to the operator's seat.
- The directional switch is integrated into the lift/lower lever for perfect ergonomics.
- The MCV offers an excellent controllability of all functions.

Safety

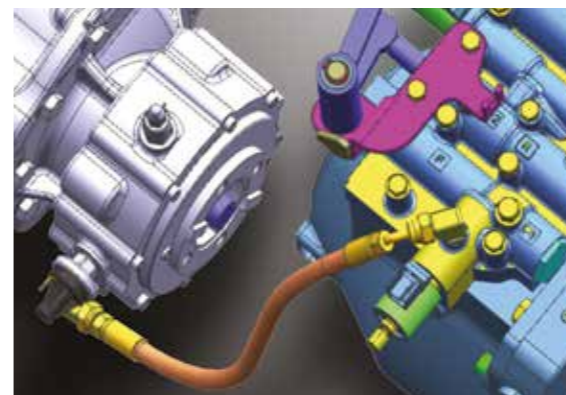
CREATING A SAFER WORKING ENVIRONMENT

Small details can make a huge difference when it comes to safety and security. By helping to ensure an accident-free workplace, the new L-9A Series forklifts help you achieve the peace of mind and productivity you need to protect your business.



* Photo may include optional equipment

Auto parking brake and hill start assist

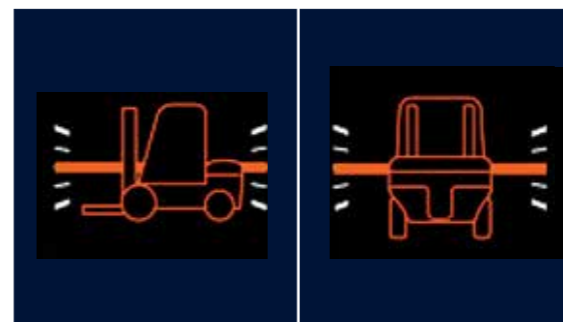


The parking brake operates automatically when the power is disengaged in order to prevent accidents caused by human error. **Hill Start Assist Control (HAC) prevents backsliding when restarting on a slope.**

Passcode-protected start-up



Operators can restrict equipment operation by setting a passcode. **This prevents theft or accidents** that could occur due to unauthorised use of the machine.



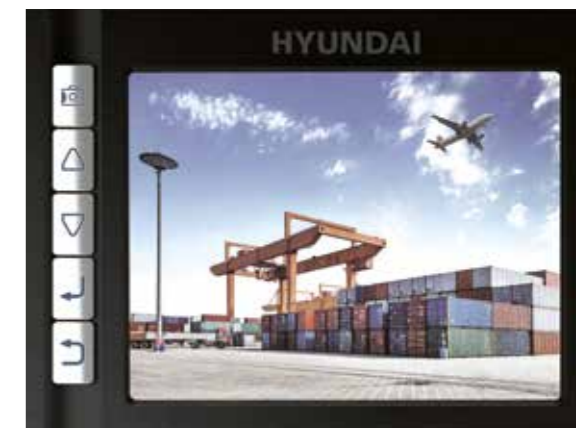
OPSS (Operator Presence Sensing System)



Drive lock Lift lock Tilt lock

The OPSS System restricts driving, lifting and tilting, and it kicks in automatically **when the operator leaves the seat** to prevent accidents. It operates in conjunction with the auto parking brake to contribute to a safer workplace.

Camera solutions OPTION



The rear view camera is integrated into the cluster and can be **activated using a button or automatically while driving back-wards.**

Machine position warning

While driving, the machine-control-unit (MCU) senses longitudinal and lateral movement and **alerts the operator if the preset stability values are exceeded.**

Serviceability

BUILT FOR QUICK, EASY SERVICING

The peace of mind that comes with fast, low-effort servicing is also part of the Hyundai L-9A Series philosophy. These forklifts are designed to make maintenance as convenient as possible. All components and materials have been optimised to ensure a long, trouble-free service life.

Easy maintenance

The wide opening angle of the engine hood in combination with tool-less removable panels **reduces equipment downtime** by providing easy access to parts requiring regular maintenance.



Recycling option OPTION



This recycling option includes a **floor cover and rear wheel-archer cover** in order to keep the engine bay free from debris or dirt. **This option protects all vital components** such as the engine's radiator.

Engine diagnostics and service scheduling



Item	Interval	Elapse Count	Alarm
Axle Planetary Ge...	100	2 0	✓
Transmission Oil	100	2 0	✓
Transmission Oil F...	100	2 0	✓
Hydraulic Tank Ai...	250	2 0	✓
Air Cleaner Comp...	450	2 0	✓
Engine Oil Filter	500	2 0	✓

Engine failure codes can be checked in the cluster with **no need for a separate diagnostic tool**. Replacement timing for consumable parts is set in the cluster and informs the operator in the screen from 30h before scheduled maintenance service.

Water and dustproof fuse and relay box



All fuses and relays are centralised in three boxes with **enhanced waterproof and dustproof protection IP65**. The boxes themselves are located under the foot panel for **quick access**.

Parts & Warranties

HYUNDAI GENUINE PARTS AND WARRANTIES: THE BEST WAY TO PROTECT YOUR INVESTMENT

Hyundai Genuine parts, accessories and warranty programmes are specially designed to keep your investment covered. They increase uptime and maintain the performance, comfort, and convenience that are built into your equipment.



Leader in standard warranties for Stage V forklifts!

Hyundai warranties are designed to give you the cover you need to build your business with confidence and peace of mind.

Best standard warranties in the industry

For extra reassurance, and to ensure maximum customer confidence, we are supplying all new stage V models with best industry standard warranties.

The forklift **standard warranty covers you for two years or 3,000 hours, whichever comes first.***



Optional and extended warranty periods

In addition to this standard coverage, optional and extended warranty periods are available, allowing you to benefit from full warranty coverage for longer, and even over the full lifetime of your forklift.*

Forklift standard warranty*

2 years

or 3,000 hours, whichever comes first.

Hyundai Genuine parts

Hyundai Genuine parts have the same design as those installed when your machine left the factory. They are subjected to rigorous quality inspections and tests to make sure they meet Hyundai's strict requirements for quality and durability. As well as minimising

downtime, this helps to ensure peak performance in every task. In the 13,000 m² warehouse, Hyundai covers over 96% of all Genuine Parts. With one of Europe's most advanced automated warehousing systems, we are able to maintain availability and efficient delivery of all our Genuine Parts.

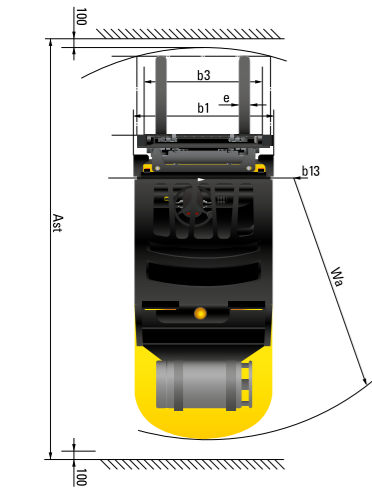
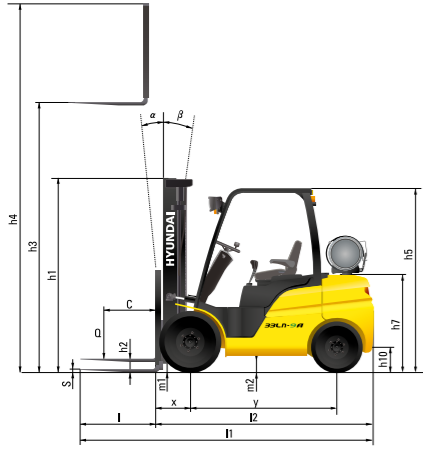
A network you can rely on

HCEE prioritises quick, reliable intervention to keep your equipment running reliably. Thanks to the **extended dealer network across Europe, we will always be close by to ensure a timely and efficient solution.** Moreover, we guarantee a 24-hour delivery service across our European dealer network.

* Conditions may be subject to change. Please contact your dealer to have the latest information and find the optimal solution for your needs.

Specifications

25L/30L/33L/35LN-9A



Main characteristics				Hyundai	Hyundai	Hyundai	Hyundai
1.1	Manufacturer			Hyundai	Hyundai	Hyundai	Hyundai
1.2	Manufacturer's model designation			25L-9A	30L-9A	33L-9A	35LN-9A
1.3	Drive			LPG	LPG	LPG	LPG
1.4	Type of operation			seated	seated	seated	seated
1.5	Load capacity	C	kg	2,500	3,000	3,300	3,500
1.6	Load center distance	x	mm	500	500	500	500
1.8	Load distance (center of drive axle to fork)	y	mm	468	468	468	468
1.9	Wheelbase		mm	1,650	1,700	1,700	1,700
Weights							
2.1	Service weight		kg	3,721	4,116	4,395	4,535
2.2	Axle loading, loaded	front / rear	kg	5,491 / 731	6,298 / 818	6,727 / 968	6,942 / 1,092
2.3	Axle loading, unloaded	front / rear	kg	1,524 / 2,197	1,590 / 2,526	1,548 / 2,847	1,449 / 3,085
Tyres/Chassis							
3.1	Tyres			Pneumatic	Pneumatic	Pneumatic	Pneumatic
3.2	Tyre size	front		7.00-12-12PR	8.15-15-14PR	8.15-15-14PR	8.15-15-14PR
3.3	Tyre size	rear		6.50-10-12PR	6.50-10-12PR	6.50-10-12PR	6.50-10-12PR
3.5	Number of wheels (x = driven wheels)	front / rear		2 x 2	2 x 2	2 x 2	2 x 2
3.6	Tread	front	mm	999	1,005	1,005	1,005
3.7	Tread	rear	mm	980	980	980	980
Dimensions							
4.1	Tilt of mast / fork carriage forward / backward	α / β	degree	6 / 10	6 / 10	6 / 10	6 / 10
4.2	Height, mast lowered	h1	mm	2,175	2,190	2,260	2,260
4.3	Free lift	h2	mm	155	155	155	155
4.4	Lift height	h3	mm	3,305	3,305	3,305	3,305
4.5	Height, mast extended		mm	4,485	4,485	4,485	4,485
4.7	Height of	overhead guard	h5	mm	2,160	2,180	2,180
		cabin			2,170	2,190	2,190
4.8	Seat height / stand height rel. to SIP	h7	mm	1,187	1,212	1,212	1,212
4.12	Coupling height	h10	mm	310	300	299	295
4.19	Overall length	l1	mm	3,657	3,726	3,782	3,782
4.20	Length to face of forks	l2	mm	2,607	2,676	2,732	2,766
4.21	Overall width		mm	1,200	1,230	1,230	1,230
4.22	Fork dimensions	l x e x s	mm	45 x 100 x 1,050	45 x 122 x 1,050	45 x 122 x 1,050	45 x 122 x 1,050
4.23	Fork carriage ISO 2328, Class / Type A, B			2A	3A	3A	3A
4.24	Fork carriage Width	b3	mm	1,102	1,102	1,102	1,102
4.31	Ground clearance, below mast, loaded	m1	mm	130	145	145	145
4.32	Ground clearance, center of wheelbase		mm	172	181	174	171
4.34.1	Aisle width for pallets 1,000 X 1,200 crossways	Ast	mm	4,010	4,081	4,131	4,158
4.34.2	Aisle width for pallets 800 X 1,200 lengthways	Ast	mm	4,210	4,281	4,331	4,358
4.35	Turning radius	Wa	mm	2,352	2,413	2,463	2,490
4.36	Smallest pivot point distance		mm	714	731	731	731
Performance data							
5.1	Travel speed	loaded / unloaded	km/h	16.4 / 17.7	17.0 / 18.6	16.8 / 18.6	16.7 / 18.6
5.2	Lift speed	loaded / unloaded	mm/s	580 / 590	570 / 590	460 / 480	450 / 480
5.3	Lowering speed	loaded / unloaded	mm/s	500 / 450	500 / 450	500 / 450	500 / 450
5.6	Max. drawbar pull	loaded / unloaded	N	23,252 / 22,086	22,083 / 20,800	22,175 / 20,724	22,186 / 20,682
5.8	Max. gradeability	loaded / unloaded	%	36.3 / 21.7	29.5 / 20.6	27.2 / 18.8	26.0 / 18.8
5.10	Service brake			Hydraulic	Hydraulic	Hydraulic	Hydraulic
Engine							
7.1	Engine manufacturer / type			HMC L4KB	HMC L4KB	HMC L4KB	HMC L4KB
7.2	Engine power acc. to ISO 1585		kW / rpm (hp / rpm)	44.1 / 2,300 (59.2 / 2,300)	44.1 / 2,300 (59.2 / 2,300)	44.1 / 2,300 (59.2 / 2,300)	44.1 / 2,300 (59.2 / 2,300)
7.3	Maximum torque		kgfm / rpm	19 / 1,800	19 / 1,800	19 / 1,800	19 / 1,800
7.4	No. of cylinders / displacement		EA / cc	4 / 2,359	4 / 2,359	4 / 2,359	4 / 2,359
7.5	Fuel consumption acc. to Vdi cycle		l / h				
Additional data							
8.1	Type of drive control		AC	Power Shift	Power Shift	Power Shift	Power Shift
8.2	Operating pressure, system / attachments		bar	200 / 140	217 / 162	200 / 140	200 / 140
8.3	Oil volume for attachments		LPM	55	55	55	55
8.5	Trailer coupling, type DIN			PIN	PIN	PIN	PIN

STANDARD AND OPTIONS

Part	Description	25L-9A	30L-9A	33L-9A	35LN-9A	
OPERATION ROOM	OHG	Overhead guard *25L-9A: 2,160 mm, 30L-9A - 35LN-9A: 2,180 mm	●	●	●	
		Overhead guard with rain cover *25L-9A : 2,170 mm, 30L-9A &- 35LN-9A: 2,190 mm	○	○	○	
	Cabin	Cabin options - one door, two door	○	○	○	
		Partial cabin - front glass with wiper, rear glass & top rain cover	○	○	○	
A/C	Air conditioner and/or heater The air conditioning system contains fluorinated greenhouse gas refrigerant R134a. (Global Warming Potential: 1,430) The system contains 0.55 kg refrigerant representing a CO ₂ equivalent of 0.787 metric tonnes.	- / ○	○	○	○	
Seat	Full suspension synthetic leather seat + orange belt, arm rest, seat switch	●	●	●	●	
	Seat accessories - long backrest, belt switch, heated seat	○	○	○	○	
Lever	Lever - general	●	●	●	●	
	Lever - fingertip	○	○	○	○	
Ect.	Radio & USB	○	○	○	○	
	Rear horn gip	●	●	●	●	
MAST & ATTACHMENT	2 Stage mast - standard (V)	●	●	●	●	
	2 Stage mast - single full free (VF)	○	○	○	○	
	3 Stage mast - single full free (TF), dual full free (TS)	○	○	○	○	
Fork	1,050 mm Fork	●	●	●	●	
	Fork options - 900 mm-2,300 mm	○	○	○	○	
Carriage	Carriage - narrow (1,102 mm / Hook)	●	●	●	●	
	Carriage options - Wide (1,442 mm / Hook)	○	○	○	○	
Attachment	Hook-on side-shift	○	○	○	○	
	Integrated side-shift	○	○	○	○	
	Side-shift & fork positioner	○	○	○	○	
HYDRAULICS	3 Spool MCV + attached piping for V330 mast	●	●	●	●	
	MCV options - 4 spool	○	○	○	○	
	Attached piping for all MCVs & masts	○	○	○	○	
	Brake non booster	●	●	●	●	
TIRE	Tyre - pneumatic (single)	●	●	●	●	
	Tyre options	-	-	-	-	
	- Solid	○	○	○	○	
	- Non marking	○	○	○	○	
VISIBILITY	- Pneumatic double or solid double tyre (15" wheel rim)	○	○	○	○	
	Lamp	Working lamp - front bulb	●	●	●	●
		Working lamp options - front LED, rear LED	○	○	○	○
		Rear Blue Spot	○	○	○	○
Mirror	LED beacon Lamp	○	○	○	○	
	Mirror - panorama	●	●	●	●	
Camera	Mirror options - L/H & R/H back mirror, outsidemirror	○	○	○	○	
	Rearview camera	○	○	○	○	
CONVENIENCE	Knob-switch with direction & horn	●	●	●	●	
	Auto tilt leveling	○	○	○	○	
	Load indicator	○	○	○	○	
SAFETY	Hydraulic pressure indication on display	●	●	●	●	
	OPSS - travel & mast	●	●	●	●	
	Master switch to cut-off electricity from battery	●	●	●	●	
OTHERS	Hazard switch	○	○	○	○	
	Steel side cover	○	○	○	○	
	Plastic side cover	●	●	●	●	
	Recycling option (rear tyre cover + under cover)	○	○	○	○	
	Pre-cleaner	○	○	○	○	
OTHERS	Hyd. oil-VG46	●	●	●	●	
	Hyd. oil options - VG68 for tropical, VG15 & VG32 for cold areas	○	○	○	○	
	Accumulator - mast damping	○	○	○	○	

● STD / ○ OPT

* The above specifications are based on V300 mast.

* In accordance with guideline 2198, this specification sheet provides details of the standard truck only. Non-standard tires, different masts, optional equipment, etc. may result in different values.



* Standard and optional equipment may vary by country. Contact your Hyundai dealer for more information.

* The machine may vary according to International standards. European specifications may differ from Korean specifications mentioned in the brochures.

* The photos may include attachments and optional equipment that are not available in your area.

*Materials and specifications are subject to change without advance notice.

* All imperial measurements are rounded off to the nearest pound or inch.

Hyundai Material Handling Europe
Hyundailaan 4, 3980 Tessenderlo, Belgium
Tel: (+32) 14-56-2200 Fax: (+32) 14-59-3405

Contact your Hyundai dealer.
hyundai-mh.eu

Address