

# 70/80/100D-9V

## STAGE V DIESEL FORKLIFT TRUCKS



**Load Capacity**  
7000 kg – 10000 kg

**Load Centre Distance**  
600 mm

**Engine Power**  
81kW - 90kW

**Lift Height**  
2700mm - 7650mm

# UPGRADE YOUR OFFICE

The New Heavy-line Range of Hyundai Forklifts

If you're spending all your working day in an uncomfortable, cramped cab with badly organised controls, then it's time to upgrade your office. The new Hyundai 70, 80 and 100D-9V Heavy Line Forklifts are quieter and more comfortable, with easy-to-use fingertip controls for complete stress-free working. And with a new design that enables greater visibility and includes many added safety features, productive, peace of mind operating is assured.



# UPGRADE YOUR PRODUCTIVITY

By listening to customer comments, we've been able to design our next generation cab. This extra insight has enabled us to improve operator comfort, control and convenience to allow more productive working in any environment. Easy-to-see, multi-functional displays also keep operators informed about machine performance and outside obstacles.

## Designed for efficient operation

### Quieter

We've reduced noise dramatically inside the cab by optimising engine capacity, reducing cooling fan RPM and redesigning the cabin structure.

### Easy-to-use steering wheel A

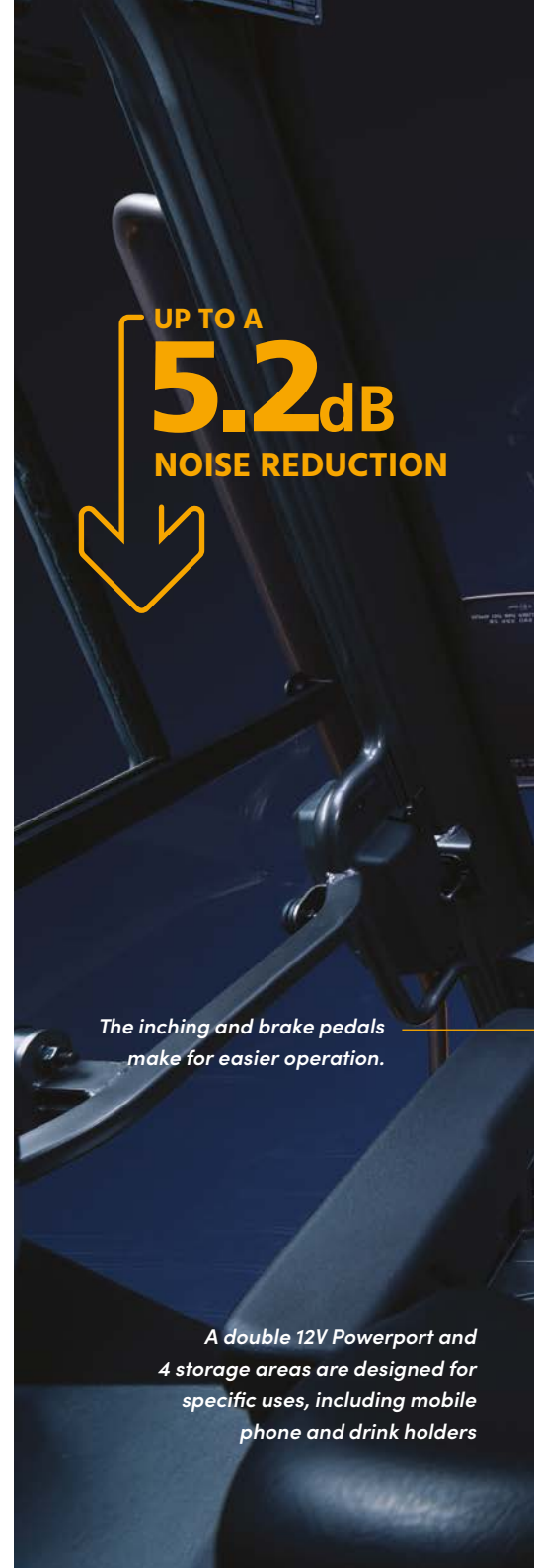
The problem of heavy handling has been significantly improved with a new steering wheel design. It can be adjusted up and down by 85mm and forwards and backwards by 36 degrees. In addition, operator control has been enhanced by reducing its diameter by 35mm.

### Digital displays

A multi-functional digital display cluster delivers essential information in colour. It is equipped with various features such as function settings and malfunction diagnosis of major parts.

### Air suspension & swivel seat ▼

Optimal riding comfort has been achieved with an optional air suspension and swivel seat. This also improves reverse driving and aids getting on and off, as the seat can be rotated 20 degrees to the right and 10 degrees to the left.



UP TO A  
**5.2dB**  
NOISE REDUCTION

*The inching and brake pedals make for easier operation.*

*A double 12V Powerport and 4 storage areas are designed for specific uses, including mobile phone and drink holders*

### Stay comfortable

Working for long hours in the cab is no problem, with air conditioning through multiple air vents that control the air volume in four directions.

### Increased visibility

Operator visibility has been improved using distortionless single curvature front glass that doesn't distort the view and sun visors.



### Fingertip control ▶

Fine controllability has been improved by our new fingertip system which changes MCV control to dither control. The system provides fast response, within 0.1 seconds and gives the same controllability regardless of ambient temperature. All switches have been placed in one row, in order of use frequency. The AC control Dial is now integrated in the headliner.



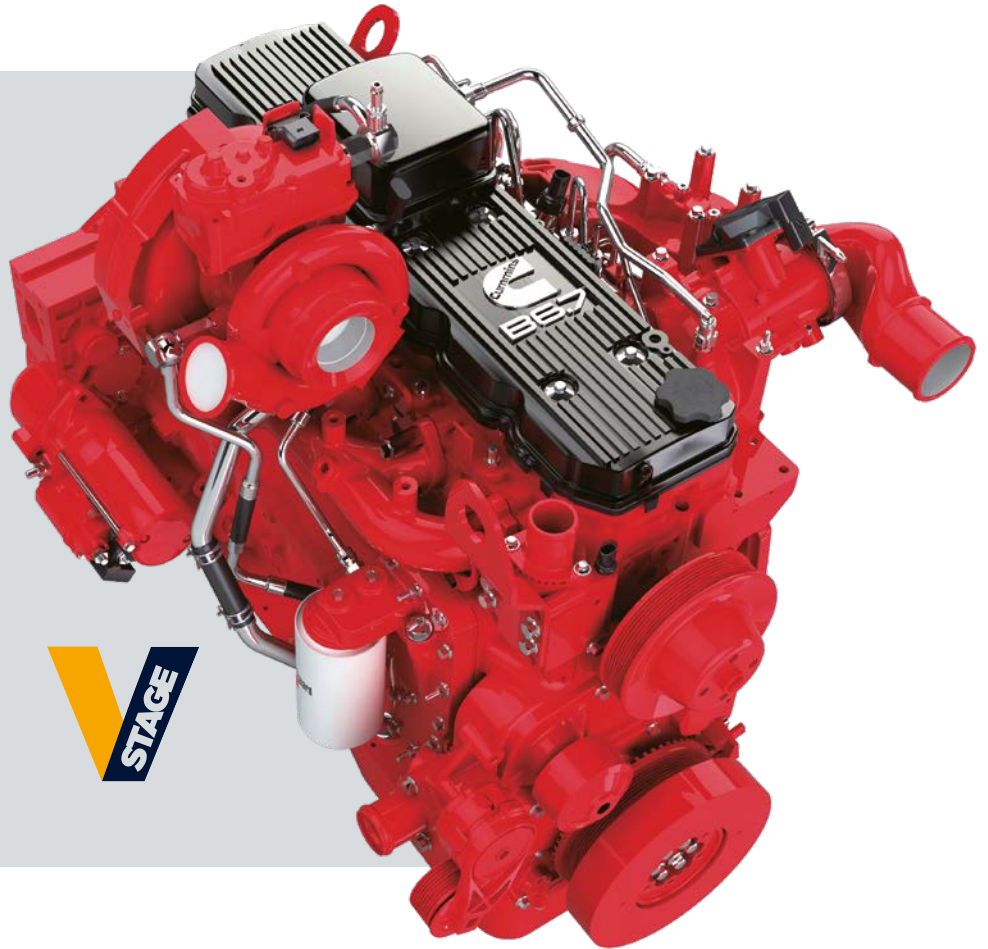
# UPGRADE YOUR EFFICIENCY

With a new reliable Stage V engine and upgraded transmission along with many new features and technologies, the new Hyundai Heavy Line Forklifts are more fuel efficient compared to our previous models. And when you add improved serviceability thanks to the electronically tilting cabin, plus Hyundai's remote management system and world-class support, you're looking at a low cost of ownership that's a great business investment.

## EU Stage V Certified Engine

The 100D-9V is equipped with a reliable Cummins F series engine, widely used throughout the world, satisfying the latest European emission regulations. The EGR (Exhaust Gas Reduction) system was removed to improve energy efficiency and reliability. A new DPF has been added, in addition to the existing DOC and SCR.

The 70D-9V and 80D-9V are equipped with a powerful 2.9L HMC D4CC diesel engine that produces 81 kW while complying with European Stage V environmental regulations. It also achieves impressive cost savings by delivering excellent performance with low fuel consumption rates.



## The technology to improve efficiency

### Upgraded ZF transmission

Responsiveness and shift timing are optimised, and SIL 2 European safety function regulation is satisfied. In addition, the shifting system boasts increased reliability as a non-contact shifting lever not affected by moisture is applied.

### Load sensing hydraulics

Fuel efficiency is dramatically improved by using an optimised engine, applying a Load Sensing Variable Displacement Pump and a Load Sensing MCV.

### Engine output selection button

On the engine output button, STD mode is set to 80% output of PWR mode and can be selected for reducing fuel consumption. PWR mode is available for full load transit or uphill driving.



Engine output button

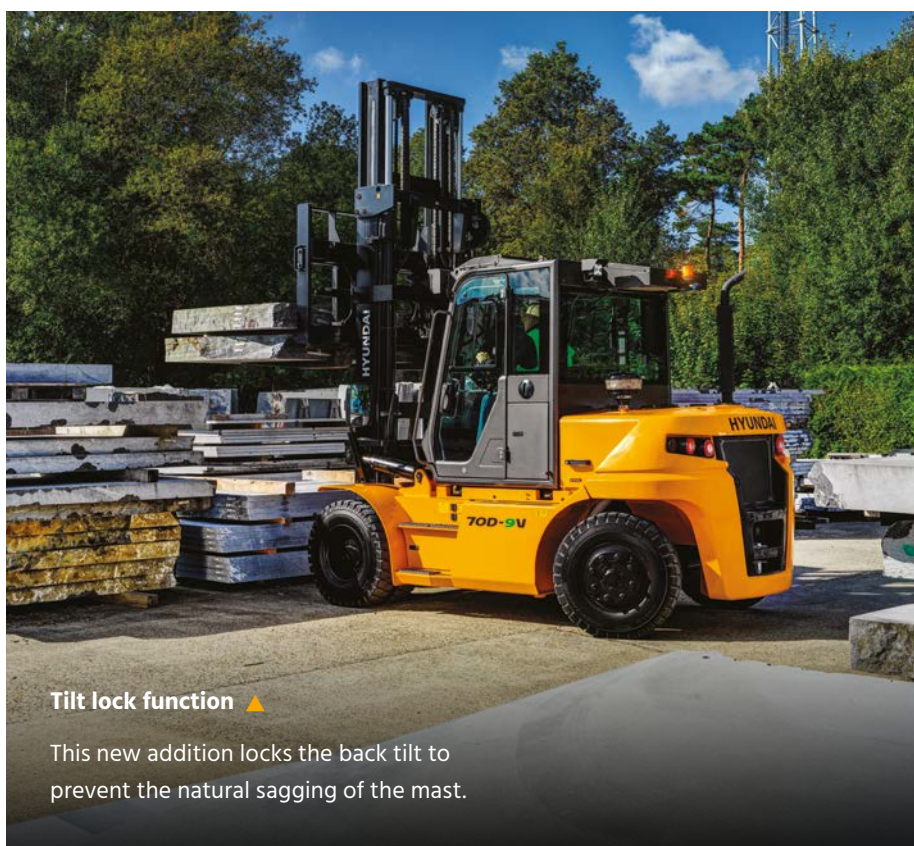


Improved  
**FUEL**  
**EFFICIENCY**  
 (Compared to previous model)



**Greater visibility improves productivity**

Usually a 3-stage mast compromises forward visibility due to the primary cylinder being in the centre. Our 3-stage TS mast provides a wider view by placing the primary cylinder on the left and right sides.



**Tilt lock function ▲**

This new addition locks the back tilt to prevent the natural sagging of the mast.

# UPGRADE YOUR SAFETY

The Hyundai approach to safety goes far beyond just meeting regulatory standards. We prioritise safety in every aspect of our machines and work with our customers to keep improving protection for operators, co-workers, buildings, materials and of course the machines themselves.

## Visibly safer

### 3-stage TS mast

The 3-stage TS mast provides a wider working view by placing the primary cylinder on the left and right sides.

### Minimising blind spots

We've minimised blind spots in the field of view by increasing the glass area and there is now no filler in the middle of the door. This also prevents damaging the glass when moving objects in the cabin.

### Heated side mirrors

A large side mirror is installed on the front wheel fender to secure a wider rear view. Optionally the mirror can be heated, preventing freezing.

### Rear view camera ▲

The addition of an optional rear view camera provides extra peace of mind for operators, especially when working in confined spaces.





## Extra safety features

### Password protection

A password can be set to prevent unauthorised driving and theft. The engine cannot be started without the password.

### Auto-parking brake

When the engine stops or OPSS starts, the parking brake is automatically activated to prevent human error. If the driver needs to use the parking brake while the engine is running, they can apply or release it using a dedicated button.

### OPSS system

The OPSS restricts driving, lifting, and tilting when the operator leaves the driver's seat in order to prevent accidents.

### Speed limit

A maximum driving speed can be set to prevent accidents caused by exceeding the speed limit. Even with the maximum driving speed set hill-climbing and mast working performance is maintained.

### Road slope (STD) and steering angle display **OPTION**

The road slope is sensed and displayed in real time. When the set value is exceeded, the symbol turns red and a warning buzzer sounds. The steering tyre position is also displayed in real time.



*Additional options for safety include Auto Tilting which automatically maintains the level of the fork with the ground.*

# UPGRADE YOUR MAINTENANCE

Our new Heavy Line Diesel Forklifts are designed with quick, low-effort servicing in mind, while every component and material has been optimised to ensure a long, trouble-free life. Hyundai's innovative Hi MATE telematics system enables full monitoring of machine activity and performance for greater productivity and profitability.

## Less maintenance. More uptime

### Improved routine maintenance

Easy access for maintenance means regular checks get done faster, giving you more uptime and reducing operating costs. Ground level access to filters, lube fittings and master switches make servicing more convenient.

### Longer service intervals

The fuel filter service interval on the new engine has been increased by 100% – from 500 hours to 1,000 hours, greatly to reducing maintenance costs.

### Easy access tilting cab

The cab can be tilted up to 52 degrees, enabling easy access to the powertrain, hydraulics and electrical system. The cooling system and engine consumables can be easily managed by opening the cover of the wing-type engine bay.



### Self-diagnosis of engine and consumables management

The history of failure details can be checked on the cluster screen. And when the replacement cycle of any consumables is entered into the cluster, parts that are due replacement are displayed on the monitor.

### No cab tilting when the door is opened

If the right side door is open, damage to it is prevented by no cabin tilting. The cabin can be opened and closed both automatically or manually.

### Tankless-type compressor

Unlike tank-type compressors that require time to be refilled, our tankless-type compressor instantly delivers compressed air at a constant pressure.

### Automatic DPF & SCR regeneration

The DPF and SCR are automatically regenerated with the help of hydraulic engine load. The DPF Filter element can be easily removed through the counterweight opening.

## Keeping you covered

Hyundai genuine parts and accessories are designed to keep your machine running at optimum performance, providing increased uptime, comfort and productivity. Our 13000m<sup>2</sup> European Parts Warehouse guarantees 24-hour delivery across our dealer network.

# Hi MATE

It's convenient, easy and valuable. Hi MATE, Hyundai's remote management system, utilises GPS-satellite technology to provide customers with the highest level of service and product support available.

### Increase productivity

By providing information such as service hours, idle time and fuel consumption, Hi MATE saves you money and improves productivity. Service alerts enable better maintenance planning.

### Monitor your machines

Hi MATE's real-time location information allows convenient monitoring of your equipment via the Hi MATE website or mobile app.

### Improve Security

Protect your equipment from theft or unauthorised usage. Hi MATE's geofencing alerts notify you automatically when a machine leaves a predetermined zone.

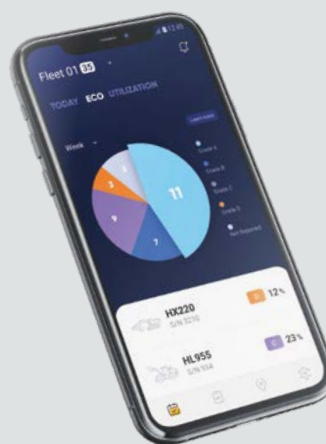
### ECD

#### (Engine Connected Diagnostics)

ECD provides troubleshooting information as well as tailored servicing. Service technicians are supported with remote diagnostics allowing them to achieve quick resolution rate

### Mobile fleet app

Our Mobile Fleet app provides all the information you need to run your fleet efficiently and economically.



# TAKE THE TOUR!



## UPGRADE YOUR OFFICE

- New Next Generation cab
- Reduced cabin noise (up to 5.2dB)
- Multi-functional digital display cluster
- Air suspension & swivel seat OPTION
- Air conditioning
- 1-piece, distortionless glass
- Fingertip controls

## UPGRADE YOUR EFFICIENCY

- Reliable Stage V Cummins B series engine
- Improved fuel efficiency
- No EGR (Exhaust Gas Reduction) system on 100D-9V
- New added DPF
- Upgraded ZF transmission
- Load sensing hydraulics
- Engine output selection button
- Greater visibility for improved productivity
- Kessler front axle



## UPGRADE YOUR MAINTENANCE

- Hi MATE remote management system
  - ECD (Engine Connected Diagnostics)
  - Mobile fleet app
- Easy access tilting cab
- Longer lasting fuel filter
- Ground level routine maintenance
- Tankless-type compressor
- Automatic DPF & SCR regeneration

## UPGRADE YOUR SAFETY

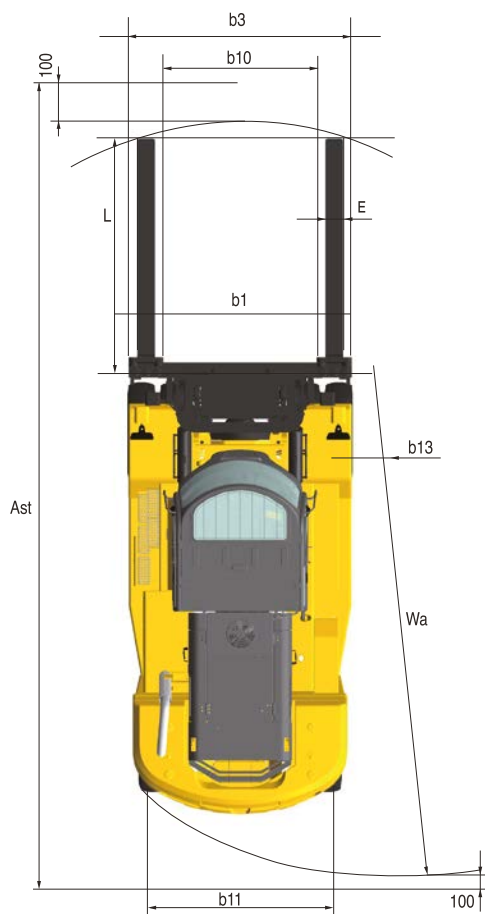
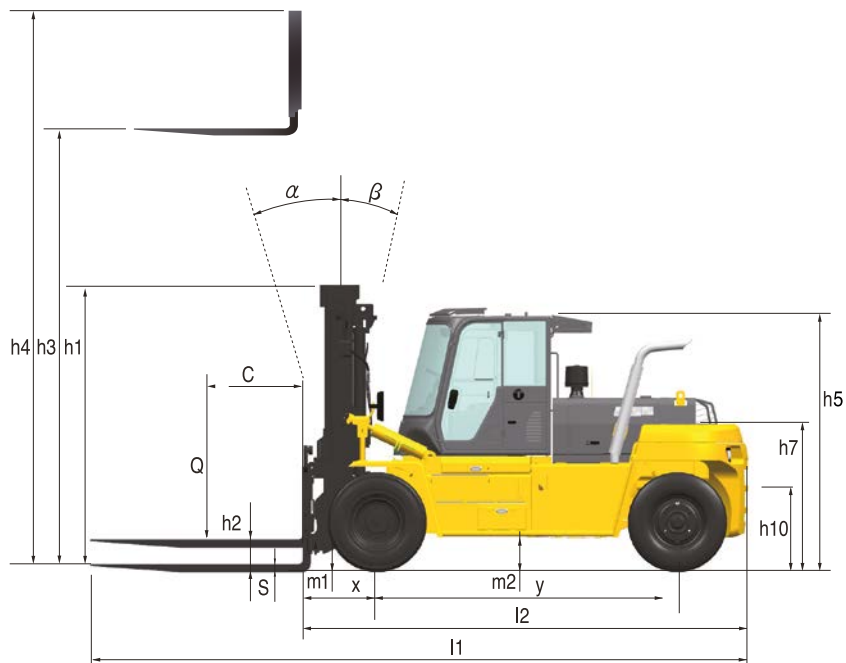
- 3-stage TS mast with wider field of view
- Increased glass area
- Rear view camera
- Heated side mirror
- Password to start engine
- Auto-parking brake
- OPSS system
- Travel speed limit
- Road slope warning alarm

70/80/100D-9V

# SPECIFICATIONS

| IDENTIFICATION  |        |                  |           |              |              |              |
|---|--------|------------------|-----------|--------------|--------------|--------------|
| Manufacturer (abbreviation)   | 1.1    |                  |           | Hyundai      | Hyundai      | Hyundai      |
| Manufacturer's type designation                                     | 1.2    |                  |           | 70D-9V       | 80D-9V       | 100D-9V      |
| Drive : electric (battery or mains), diesel, petrol, fuel gas       | 1.3    |                  |           | Diesel       | Diesel       | Diesel       |
| Type of operation: hand, pedestrian, standing, seated, order-picker | 1.4    |                  |           | Seated       | Seated       | Seated       |
| Load capacity / rated load  | 1.5    |                  | kg        | 7000         | 8000         | 10000        |
| Load center distance  | 1.6    | C                | mm        | 600          | 600          | 600          |
| Load distance, center of drive axle to fork                         | 1.8    | x                | mm        | 610          | 690          | 690          |
| Wheelbase   | 1.9    | y                | mm        | 2300         | 2500         | 2750         |
| Service weight  | 2.1    |                  | kg        | 10145        | 11582        | 13074        |
| Axle loading, loaded front/rear                                     | 2.2    |                  | kg        | 15062 / 2084 | 17233 / 2349 | 20437 / 2637 |
| Axle loading, unloaded front/rear                                   | 2.3    |                  | kg        | 4364 / 5781  | 5105 / 6477  | 5637 / 7437  |
| Tires : solid rubber, superelastic, pneumatic, polyurethane         | 3.1    |                  |           | P            | P            | P            |
| Tire size, front  | 3.2    |                  |           | 8.25-15-14PR | 9.00-20-14PR | 9.00-20-14PR |
| Tire size, rear   | 3.3    |                  |           | 8.25-15-14PR | 9.00-20-14PR | 9.00-20-14PR |
| Wheels, number front / rear (x = driven wheels)                     | 3.5    |                  |           | 4x2          | 4x2          | 4x2          |
| Tread, front  | 3.6    |                  | mm        | 1578         | 1632         | 1693         |
| Tread, rear   | 3.7    |                  | mm        | 1602         | 1700         | 1700         |
| Tilt of mast/fork carriage forward/backward                         | 4.1    | $\alpha / \beta$ | degree    | 15/10        | 15/10        | 15/10        |
| Height, mast lowered  | 4.2    | h1               | mm        | 2515         | 2675         | 2850         |
| Free lift   | 4.3    | h2               | mm        | 140          | 145          | 150          |
| Lift height   | 4.4    | h3               | mm        | 3030         | 3040         | 3025         |
| Height, mast extended   | 4.5    | h4               | mm        | 4320         | 4375         | 4360         |
| Height of overhead guard (cabin)                                    | 4.7    | h5               | mm        | 2595         | 2680         | 2680         |
| Seat height / stand height rel. To sip                              | 4.8    | h7               | mm        | 1536         | 1650         | 1650         |
| Coupling height   | 4.12   | h10              | mm        | 508          | 602          | 602          |
| Overall length  | 4.19   | l1               | mm        | 4875         | 5170         | 5465         |
| Length to face of forks   | 4.20   | l2               | mm        | 3675         | 3970         | 4265         |
| Overall width   | 4.21   | b1               | mm        | 2088         | 2194         | 2265         |
| Fork dimensions   | 4.22   | l x e x s        | mm        | 65x150x1200  | 70x180x1200  | 75x180x1200  |
| Fork carriage iso 2328, class / type A, B                           | 4.23   |                  |           | Class IV     | Class IV     | -            |
| Fork-carriage width   | 4.24   | b3               | mm        | 2068         | 2268         | 2265         |
| Ground clearance, below mast, loaded                                | 4.31   | m1               | mm        | 195          | 250          | 250          |
| Ground clearance, center of wheelbase                               | 4.32   | m2               | mm        | 224          | 306          | 306          |
| Aisle width for pallets 1000 x 1200 crossways                       | 4.34.1 | Ast              | mm        | 5251         | 5590         | 5590         |
| Aisle width for pallets 800 x 1200 lengthways                       | 4.34.2 | Ast              | mm        | 5451         | 5790         | 5790         |
| Turning radius  | 4.35   | Wa               | mm        | 3436         | 3700         | 3965         |
| Smallest pivot point distance                                       | 4.36   |                  | mm        | 1224         | 1354         | 1354         |
| Travel speed, loaded / unloaded                                     | 5.1    |                  | km/h      | 29.8/33.3    | 30.2/34.3    | 28.4/32.7    |
| Lift speed, loaded / unloaded                                       | 5.2    |                  | mm/s      | 450/480      | 440/500      | 440/500      |
| Lowering speed, loaded / unloaded                                   | 5.3    |                  | mm/s      | 500/500      | 500/500      | 500/500      |
| Drawbar pull, loaded / unloaded                                     | 5.5    |                  | N         | -            | -            | -            |
| Max. Drawbar pull, loaded / unloaded                                | 5.6    |                  | N         | 76897        | 74123        | 79355        |
| Gradeability, loaded / unloaded                                     | 5.7    |                  | %         | -            | -            | -            |
| Max. Gradeability, loaded / unloaded                                | 5.8    |                  | %         | 45.3/        | 37.1/        | 31.5/        |
| Acceleration time, loaded / unloaded                                | 5.9    |                  | s         | -            | -            | -            |
| Service brake   | 5.10   |                  |           | Hydraulic    | Hydraulic    | Hydraulic    |
| Engine manufacturer / type  | 7.1    |                  |           | HMC D4CC     | HMC D4CC     | CMS F3.8     |
| Engine power acc. To ISO 1585                                       | 7.2    |                  | kW/rpm    | 81/2200      | 80.9/2200    | 90/2200      |
| Maximum torque  | 7.3    |                  | kgf m/rpm | 42.8/1600    | 42.8/1600    | 51/1500      |
| No. Of cylinders / displacement                                     | 7.4    |                  | EA/cc     | 4/2891       | 4/2891       | 4/3726       |
| Fuel consumption acc. To vdi cycle*                                 | 7.5    |                  | l/h       | 4.2          | 4.1          | 4.8          |
| Type of drive control   | 8.1    |                  | AC        | Full Auto    | Full Auto    | Full Auto    |
| Operating pressure, system / attachments                            | 8.2    |                  | bar       | 190/130      | 186/127      | 226/142      |
| Oil volume for attachments  | 8.3    |                  | LPM       | 110          | 110          | 110          |
| Sound level at the driver's ear according to DIN 12053              | 8.4    |                  | dB (A)    | 74.6         | 78.2         | 77.3         |
| Trailer coupling, type din  | 8.5    |                  |           | Pin          | Pin          | Pin          |

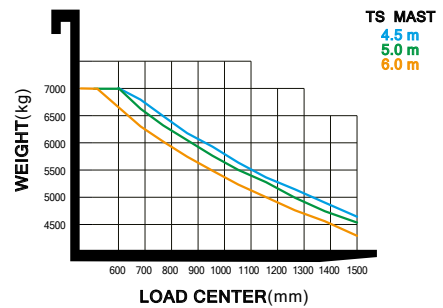
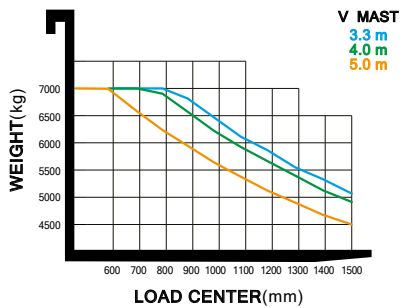
# DIMENSIONS



70D-9V

# MAST SPECIFICATION

| 70D-9V - STANDARD: HOOK-ON TYPE FORK & CARRIAGE |                     |                |                       |                        |                    |                        |      |            |    |   |  |                       |
|---|---------------------|----------------|-----------------------|------------------------|--------------------|------------------------|------|------------|----|---|--|-----------------------|
| Mast type                                       | Maximum fork height | Overall height |                       |                        |                    | Free lift height       |      | Tilt angle |    | Load capacity without side shift at 600 mm LC | Load capacity with side shift at 600 mm LC | Truck weight unloaded |
|   |                     | Lowered        | Extended              |                        | With load backrest | With std load backrest | Fwd  | Bwd        |    |   |  |                       |
|   |                     |                | Without load backrest | With std load backrest |                    |                        |      |            |    |   |  |                       |
| mm  | mm                  | mm             | mm                    | mm                     | mm                 | deg                    | deg  | kg         | kg | kg  |  |                       |
| V   | V300                | 3030           | 2515                  | 4211                   | 4320               | 140                    | 140  | 15         | 10 | 7000  | 7000                                       | 10145                 |
|   | V330                | 3330           | 2665                  | 4511                   | 4620               | 140                    | 140  | 15         | 10 | 7000  | 7000                                       | 10196                 |
|   | V350                | 3530           | 2765                  | 4711                   | 4820               | 140                    | 140  | 15         | 10 | 7000  | 7000                                       | 10244                 |
|   | V370                | 3730           | 2865                  | 4911                   | 5020               | 140                    | 140  | 15         | 10 | 7000  | 7000                                       | 10331                 |
|   | V400                | 4030           | 3015                  | 5211                   | 5320               | 140                    | 140  | 15         | 10 | 7000  | 7000                                       | 10414                 |
|   | V450                | 4530           | 3315                  | 5711                   | 5820               | 140                    | 140  | 15         | 10 | 7000  | 7000                                       | 10614                 |
|   | V500                | 5030           | 3565                  | 6211                   | 6320               | 140                    | 140  | 15         | 10 | 7000  | 6920                                       | 10695                 |
|   | V550                | 5530           | 3815                  | 6711                   | 6820               | 140                    | 140  | 15         | 10 | 7000  | 6730                                       | 10774                 |
| 3-stage full free lift                          | TF/TS450            | 4560           | 2565                  | 5765                   | 5805               | 1320                   | 1275 | 15         | 10 | 7000  | 6840                                       | 10810                 |
|   | TF/TS500            | 5060           | 2765                  | 6265                   | 6305               | 1520                   | 1475 | 15         | 10 | 7000  | 6650                                       | 10902                 |
|   | TF/TS560            | 5600           | 2965                  | 6805                   | 6845               | 1720                   | 1675 | 15         | 10 | 6700  | 6450                                       | 11013                 |
|   | TF/TS600            | 6060           | 3165                  | 7265                   | 7305               | 1920                   | 1875 | 15         | 10 | 6500  | 6290                                       | 11101                 |
|   | TS730               | 7330           | 3665                  | 8535                   | 8575               | 2460                   | 2375 | 15         | 10 | 5300  | 5860                                       | 11299                 |



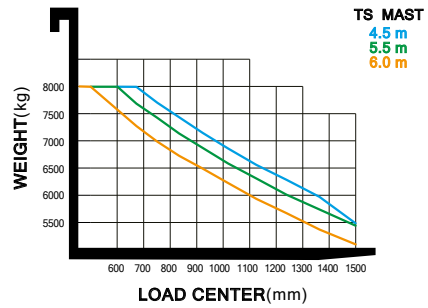
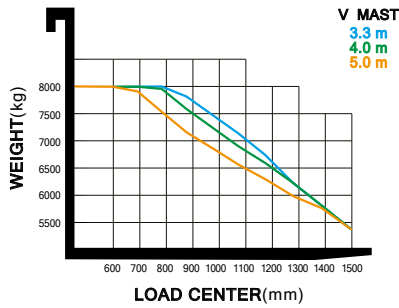


80D-9V

# MAST SPECIFICATION

**80D-9V - STANDARD: HOOK-ON TYPE FORK & CARRIAGE**

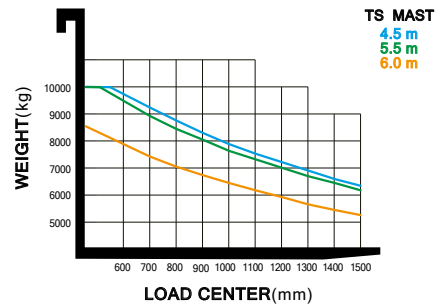
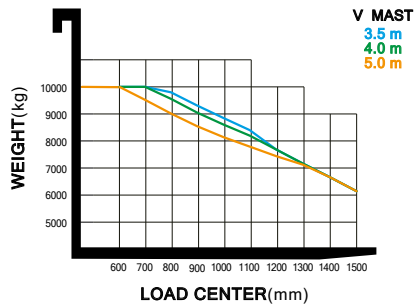
| Mast type                 | Maximum fork height | Overall height |                       |                        | Free lift height   |                        | Tilt angle |     | Load capacity without side shift at 600 mm LC | Load capacity with side shift at 600 mm LC | Truck weight unloaded |       |
|---------------------------|---------------------|----------------|-----------------------|------------------------|--------------------|------------------------|------------|-----|---|--|-----------------------|-------|
|                           |                     | Lowered        | Extended              |                        | With load backrest | With std load backrest | Fwd        | Bwd |   |  |                       |       |
|                           |                     |                | Without load backrest | With std load backrest |                    |                        |            |     |   |  |                       |       |
| mm                        | mm                  | mm             | mm                    | mm                     | mm                 | deg                    | deg        | kg  | kg  | kg   |                       |       |
| 2-stage limited free lift | V300                | 3040           | 2675                  | 4348                   | 4350               | 150                    | 150        | 15  | 10  | 8000                                       | 8000                  | 11430 |
|                           | V330                | 3340           | 2825                  | 4648                   | 4650               | 150                    | 150        | 15  | 10  | 8000                                       | 8000                  | 11451 |
|                           | V350                | 3540           | 2925                  | 4848                   | 4850               | 150                    | 150        | 15  | 10  | 8000                                       | 8000                  | 11500 |
|                           | V370                | 3740           | 3025                  | 5048                   | 5050               | 150                    | 150        | 15  | 10  | 8000                                       | 8000                  | 11532 |
|                           | V400                | 4040           | 3175                  | 5348                   | 5350               | 150                    | 150        | 15  | 10  | 8000                                       | 8000                  | 11581 |
|                           | V450                | 4540           | 3475                  | 5848                   | 5850               | 150                    | 150        | 15  | 10  | 8000                                       | 8000                  | 11796 |
|                           | V500                | 5040           | 3725                  | 6348                   | 6350               | 150                    | 150        | 15  | 10  | 8000                                       | 8000                  | 11878 |
|                           | V550                | 5540           | 3975                  | 6848                   | 6850               | 150                    | 150        | 15  | 10  | 8000                                       | 7700                  | 11959 |
| 3-stage full free lift    | TF/TS450            | 4570           | 2750                  | 5902                   | 5880               | 1415                   | 1440       | 15  | 10  | 8000                                       | 8000                  | 12066 |
|                           | TS500               | 5070           | 2950                  | 6402                   | 6380               | 1615                   | 1640       | 15  | 10  | 8000                                       | 7800                  | 12169 |
|                           | TS550               | 5570           | 3150                  | 6902                   | 6880               | 1815                   | 1840       | 15  | 10  | 8000                                       | 7600                  | 12271 |
|                           | TS600               | 6070           | 3350                  | 7402                   | 7380               | 2015                   | 2040       | 15  | 10  | 7300                                       | 7400                  | 12374 |
|                           | TS730               | 7650           | 3970                  | -                      | -                  | 2635                   | -          | 15  | 6   | 6000                                       | -                     | 12795 |



# 100D-9V MAST SPECIFICATION

## 100D-9V - STANDARD: HOOK-ON TYPE FORK & CARRIAGE

| Mast type    | Maximum fork height | Overall height |                       |                        |                    | Free lift height       |     | Tilt angle |    | Load capacity (600mm LC) | Truck weight unloaded 100D-9V | Truck weight unloaded 100D-9V |
|--------------|---------------------|----------------|-----------------------|------------------------|--------------------|------------------------|-----|------------|----|--------------------------|-------------------------------|-------------------------------|
|              |                     | Lowered        | Extended              |                        | With load backrest | With std load backrest | Fwd | Bwd        |    |                          |                               |                               |
|              |                     |                | Without load backrest | With std load backrest |                    |                        |     |            |    |                          |                               |                               |
| mm           | mm                  | mm             | mm                    | mm                     | mm                 | deg                    | deg | kg         | kg | kg                       |                               |                               |
| Standard     | V300                | 3025           | 2850                  | -                      | -                  | 150                    | -   | 15         | 10 | 10000                    | 13074                         | 12779                         |
|              | V350                | 3525           | 3100                  | -                      | -                  | 150                    | -   | 15         | 10 | 10000                    | 13135                         | 12840                         |
|              | V400                | 4025           | 3400                  | -                      | -                  | 150                    | -   | 15         | 10 | 10000                    | 13208                         | 12913                         |
|              | V450                | 4525           | 3650                  | -                      | -                  | 150                    | -   | 15         | 10 | 10000                    | 13385                         | 13090                         |
|              | V500                | 5025           | 3900                  | -                      | -                  | 150                    | -   | 15         | 10 | 10000                    | 13446                         | 13151                         |
|              | V550                | 5525           | 4200                  | -                      | -                  | 150                    | -   | 15         | 10 | 9000                     | 13520                         | 13225                         |
| Triple Stage | TS450               | 4535           | 2995                  | -                      | -                  | 1665                   | -   | 15         | 10 | 9700                     | 13948                         | 13653                         |
|              | TS500               | 5035           | 3195                  | -                      | -                  | 1865                   | -   | 15         | 10 | 9400                     | 14078                         | 13783                         |
|              | TS550               | 5535           | 3395                  | -                      | -                  | 2065                   | -   | 15         | 10 | 8600                     | 14191                         | 13896                         |
|              | TS600               | 6035           | 3595                  | -                      | -                  | 2265                   | -   | 15         | 10 | 7800                     | 14400                         | 14105                         |
|              | TS750               | 7535           | 4195                  | -                      | -                  | 2865                   | -   | 15         | 6  | 7000                     | 14720                         | 14425                         |



# STANDARD/OPTIONAL EQUIPMENT

| CABIN & INTERIOR  | 70D-9V | 80D-9V | 100D-9V |
|---|--------|--------|---------|
| New Cabin   | ●      | ●      | ●       |
| Wiper for Top window  |        |        |         |
| A/C & Heater*   | ●      | ●      | ●       |
| <b>Seat</b>   |        |        |         |
| Long Back Seat - Full Suspension                                | ●      | ●      | ●       |
| Seat Options - Air suspension & Swivel seat, Leather Seat, Heat |        |        |         |
| Seat Accessories - Orange belt, Arm rest, Buckle switch         | ●      | ●      | ●       |
| <b>Lever</b>  |        |        |         |
| Lever - General   | ●      | ●      | ●       |
| Finger Tip  |        |        |         |
| Bluetooth Radio   | ●      | ●      | ●       |

\*The air conditioning system contains fluorinated greenhouse gas refrigerant R134a. (Global Warming Potential: 1,430) The system contains 0.55 kg refrigerant representing a CO<sub>2</sub> equivalent of 0.787 metric tonnes.

| MAST & ATTACHMENT                                   | 70D-9V | 80D-9V | 100D-9V |
|---|--------|--------|---------|
| <b>Mast</b>   |        |        |         |
| Standard Mast                                       | V400   | V400   | V400    |
| 2-Stage Mast  | ●      | ●      | ●       |
| 3-Stage Mast  |        |        |         |
| <b>Fork</b>   |        |        |         |
| Standard Fork                                       | 2440mm | 2440mm | 2440mm  |
| Fork Options - 1,200mm – 2,600mm Fork               |        |        |         |
| <b>Carriage</b>                                     |        |        |         |
| Shaft(pin) Type Carriage                            | ●      | ●      | ●       |
| Carriage Options                                    |        |        |         |
| Shaft   | ●      | ●      | ●       |
| Sliding   |        |        |         |
| Sliding & Holder                                    |        |        |         |
| Simple type   |        |        |         |
| <b>Attachment</b>                                   |        |        |         |
| Integral Side Shift                                 |        |        |         |
| Fork Positioner – Independent, Synchronized         |        |        |         |
| Side Shift & Positioner – Independent, Synchronized | ●      | ●      | ●       |

| HYDRAULIC                                   | 70D-9V | 80D-9V | 100D-9V |
|---|--------|--------|---------|
| 4 Spool MCV + attached piping for V400 Mast | ●      | ●      | ●       |
| MCV Options - 5 Spool                       |        |        |         |
| Attached Piping for All MCVs & Masts        |        |        |         |

| TYRE                       | 70D-9V | 80D-9V | 100D-9V |
|----------------------------|--------|--------|---------|
| Pneumatic Tyres            | ●      | ●      | ●       |
| Tyre Options - Solid Tyres |        |        |         |

| VISIBILITY                              | 70D-9V | 80D-9V | 100D-9V |
|---|--------|--------|---------|
| <b>Lamp</b>                             |        |        |         |
| Working Lamp - Front & Rear LED         | ●      | ●      | ●       |
| <b>Mirror</b>                           |        |        |         |
| L/H & R/H Back Mirror & Panorama Mirror | ●      | ●      | ●       |
| Heated L/H & R/H Back Mirror            |        |        |         |
| <b>Camera</b>                           |        |        |         |
| Rear Camera                             |        |        |         |

| CONVENIENCE                | 70D-9V | 80D-9V | 100D-9V |
|----------------------------|--------|--------|---------|
| Auto Tilt                  |        |        |         |
| Load Sensor                | ●      | ●      | ●       |
| Load Sensor & Angle Sensor |        |        |         |
| Accumulator                |        |        |         |
| Unidirectional Fan         | ●      | ●      | ●       |

| SAFETY              | 70D-9V | 80D-9V | 100D-9V |
|---------------------|--------|--------|---------|
| Seat Belt interlock | ●      | ●      | ●       |
| LED Beacon Lamp     |        |        |         |

| OTHERS            | 70D-9V | 80D-9V | 100D-9V |
|-------------------|--------|--------|---------|
| Air Compressor    |        |        |         |
| Under Cover       |        |        |         |
| Oil - VG46        | ●      | ●      | ●       |
| Hi-MATE (General) |        |        |         |
| Hi-MATE (Premium) |        |        |         |

- Standard
- X Not available

Standard and optional equipment may vary. Contact your Hyundai dealer for more information.

The machine may vary according to International standards.

The photos may include attachments and optional equipment that are not available in your area.

Materials and specifications are subject to change without advance notice.

# HYUNDAI

Specifications and design are subject to change without notice. Pictures of Hyundai Material Handling Europe products may show other than standard equipment. This brochure is intended for European markets only.

Hyundai Construction Equipment Europe NV  
Hyundailaan 4, 3980 Tessenderlo, Belgium  
Tel: (+32) 14-56-2200 Fax: (+32) 14-59-3405

**MOVING YOU FURTHER**

Contact your Hyundai dealer.  
[hyundai-mh.eu](http://hyundai-mh.eu)