



**Over Belt Forks - Push-Pull
Buckets - Height Adjustable
Foldable forks**

Model	Capacity kg	LCD mm	A mm	B mm	C mm	D mm	ISO cl.	V mm	CofG Z mm	CofG Z1 mm	Weight kg	Price €
T149	2.000	600	1.040	730	950	970	2/3	310	146	609	450	12.880,-
T149.1	1.200	600	1.040	730	1.200	1.060	2/3	310	141	711	458	14.540,-
T149	3.000	600	1.150	1.130	800	970	3	435	198	565	680	15.850,-
T149	3.500	600	1.350	1.130	800	970	4	435	189	539	745	16.690,-
T149Z	3.000	500	1.100	890	620	1.170	2/3	354	149	436	470	13.410,-
T149Z	3.500	600	1.150	1.120	750	1.290	3	355	165	519	704	16.575,-
T149Z	3.500	600	1.150	1.120	750	1.290	4	355	167	525	697	16.575,-
T149Z	6.000	600	1.500	1.050	1.045	1.538	4	465	236	741	1.320	on request



T149



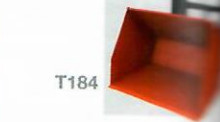
T180FG-2-4



T130



T15587



T184

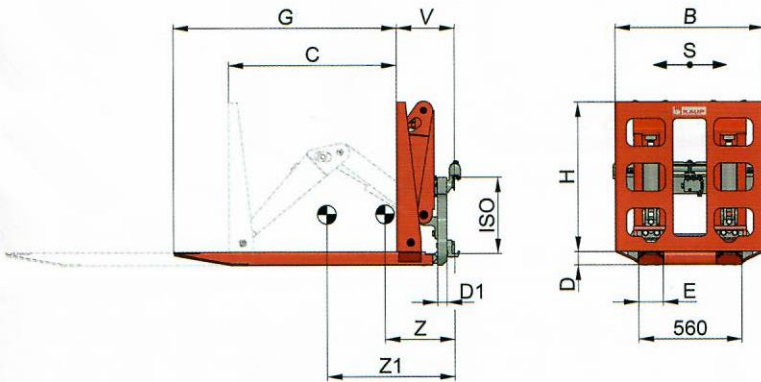
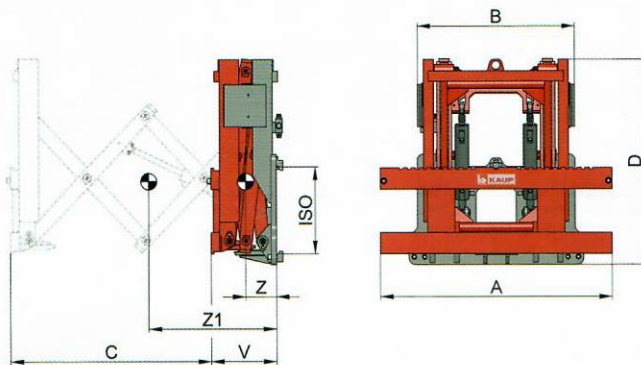


Fig. T140

Reach Fork T140SV - fix pair distance

Model	Capacity extended kg	Capacity retracted kg	LCD mm	S mm	B mm	C mm	D mm	D1 mm	E mm	G mm	H mm	ISO cl.	V mm	CofG Z mm	CofG Z1 mm	Weight kg	Price €
T140 SV	2.000	2.500	600	± 100	800	950	70	50	140	1.200	800	2	310	373	685	430	10.580,-
T140 SV	2.000	2.500	600	± 100	800	950	70	50	140	1.200	800	3	310	332	607	490	10.850,-

Differential range Max. distance from fork tip to mast = G + V + C + thickness of FLT carriage.
 Not available without sideshift, model T140. In this case the lost load center is reduced by approx. 30 mm.
 Price reduction: € 130,-



Pantograph T149/T149Z

Model	Capacity kg	LCD mm	A mm	B mm	C mm	D mm	ISO cl.	V mm	CofG Z mm	CofG1 Z1 mm	Weight kg	Price €
T149	2.000	600	1.040	730	950	970	2/3	310	146	609	450	12.880,-
T149.1	1.200	600	1.040	730	1.200	1.060	2/3	310	141	711	458	14.540,-
T149	3.000	600	1.150	1.130	800	970	3	435	198	565	680	15.850,-
T149	3.500	600	1.350	1.130	800	970	4	435	189	539	745	16.690,-
T149Z	3.000	500	1.100	890	620	1.170	2/3	354	149	436	470	13.410,-
T149Z	3.500	600	1.150	1.120	750	1.290	3	355	165	519	704	16.575,-
T149Z	3.500	600	1.150	1.120	750	1.290	4	355	167	525	697	16.575,-
T149Z	6.000	600	1.500	1.050	1.045	1.538	4	465	236	741	1.320	on request

Differential range
T149Z suitable to attach clamps and multi pallet handlers.
 The capacities are related to the extended pantograph. Available with sideshift function upon request.
 Max. distance from fork tip to mast = V + C + thickness of FLT carriage + fork length.
 Other fork carriage widths available upon request.

