

25/30/35 BE-X

BE-X SERIES BATTERY FORKLIFT TRUCK



Load Capacity
2500 – 3500 kg

Engine Power
10 – 14 kW

Lift Height
3000 – 6000 mm

HIGH ON QUALITY. LOW ON COST.

The new HD Hyundai BE-X Series Electric Forklifts

Introducing the new BE-X battery powered electric forklifts. Ranging from 2.5 - 3.5 tonnes, the new range offers the high productivity, comfort and safety you expect from a world-class brand like HD Hyundai XiteSolution, but at a low-cost price. These budget-friendly but reliable machines are also high on efficiency and low on noise.



HIGH ON PRODUCTIVITY

Productivity has been increased through optimised vehicle performance with the use of iron phosphate lithium-ion batteries and IP54 drive and pump motors for longer life and improved cost-effectiveness.

Low Energy consumption

Energy efficiency has been improved by 8.2% compared with the 9F Series thanks to the use of drive and axle assemblies with less power loss whose drive and hydraulic performances are optimised for typical working conditions.

Easier Servicing

A single-drive axle system, IP 54 motors and 80V batteries allows the machines to be serviced outdoors for greater convenience. Driving noise has also been reduced by 6.5dB thanks to the use of low-noise axles.

Optimised working

Operating has been made more efficient with the easy selection of driving and mast work speeds to match work conditions, with the use of up/down buttons in the cluster.

Low centre of gravity

A deep drop type frame allows the batteries to be placed between the front wheels and rear wheels to lower the body's centre of gravity, providing greater driving and lifting stability.

ZAPI Controller

For improved controller system reliability that meets EU safety regulations, two waterproof and dust-proof IP65 ZAPI controllers are installed.



Economical lithium-ion battery

OPTION

Our quick charging lithium-ion batteries ensure sound performance with vastly reduced charge times, allowing extended hours of continued operation on a single charge. They also last at least twice as long compared to traditional lead batteries.



LONG HOURS
1 CHARGE

HIGH ON COMFORT & EFFICIENCY

A comfortable operator is a productive operator. That's why we've increased the cab space and added numerous functions that allow the operator to work more efficiently and comfortably.



Redesigned cab

We've taken the space and optimised design of a sister model machine, B-X and used it for our BE-X machines for more convenient and efficient operation.

We've taken the representation of the human body, evaluated volunteer operators in various applications to identify the optimum driving position.

Hydraulic boosted-type steering wheel

The external diameter of the HPS-type steering wheel has been reduced by 20mm for extra convenience and the wheel column can be tilted 12.5 degrees forwards or backwards to suit the operator.

Easy access cab

To make cab access easier, the first and second steps have been lowered whilst the seat height has increased to improve visibility. The distance between the seat and head guard has also been increased by about 40mm, for enhanced comfort.



Multifunction digital cluster

The operator can clearly check operating information in real time on the multifunction digital cluster. Many additional functions are also embedded in the cluster for safe and convenient equipment management.



Simple MCV lever system

The frequently used MCV lever is conveniently placed to the right of the operator. This reduces movement and fatigue compared with the dashboard-fixed type.



HIGH ON SAFETY

Operator safety is and always will be a high priority for HD Hyundai. The risk of accidents while working has been fundamentally eliminated using scientific vehicle body design and effective safety systems.

LED safety warning lights

Bright and long-life LED lights are fitted to the front, rear and direction indicators. A beacon lamp, blue spots and red zone lamps are optional to indicate movement for the benefit of surrounding workers.

Anti-Roll back system

This system prevents the forklift from rolling down a slope when the accelerator and brake pedal are not applied. It also offers improved ramp start-up abilities.



Front & rear cameras

The wireless camera system supplies the two-channel monitor with information to the front and rear. A front camera is installed on the lateral side of the fork, helping in the safe identification of the position of pallets during high-rack operation.

Speed limit control

A maximum travel speed can be set to meet the safety speed of the site through a multifunctional monitor. Even when maximum speed is limited, gradeability and lifting performance are maintained at top levels.

Travel speed limiter when driving with elevated load OPTION

The travel speed is limited to 3km/h when the forks are lifted to a height of 500mm or are above the Free Lift height, to ensure the load doesn't fall off and the forklift doesn't get overturned.

Rear grip bar & horn

The rear grip with horn embedded allows the driver to keep a comfortable posture during reverse driving and operate the horn quickly in case of an emergency.

OPSS system

The OPSS restricts driving, lifting, and tilting when the operator leaves the driver's seat in order to prevent accidents.



LOW ON COST OF OWNERSHIP

BE-X Series electric forklifts have been designed to reduce maintenance and costs using innovative energy saving features and reliable, durable and quick replacement parts.



QUICK
SERVICING FOR
MAXIMUM
UPTIME



Quick battery replacement

A deep drop type battery can be easily removed and installed from the side of the forklift using a small forklift or electric transpallet with a minimum capacity of 1.5 tonne. There is no need for expensive equipment like a crane.

Convenient battery charging

Batteries can be charged by connecting a charger connector to a charging port, without the separation of battery cables connected to the frame. A safety sensor completely blocks any operation of the equipment while being connected to the charger.



Hydraulic motor cooling system

For the efficient cooling of the Hydraulic motor, the outdoor air inlet fan and indoor air outlet fan are separated using the left and right covers.

Safety warning

Issues relating to safety and performance, such as low brake oil level, battery discharge, and high temperature in the controller and motor will trigger the warning sound and lamp. Programming and adjustment can be performed through a Zapi Smart Console Programmer which is sold separately.

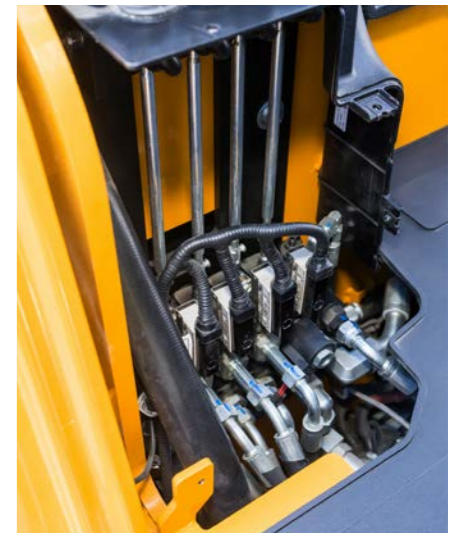


Waterproof and dustproof key switches

To increase the reliability of the electric/electronic system, an ignition key switch with a cap is used. Made by Honeywell, this prevents moisture and dust from getting in.

Sealed micro switches - MCV

Sealed micro switches are used in the hydraulic control lever system, keeping it protected from outdoor dust and water for greater reliability.



TAKE THE TOUR!



High on productivity

- Deep drop type vehicle structure-improved driving and work safety
- Achieves the best energy efficiency level in its vehicle class
- LiFePo4 lithium-ion battery with excellent price-to-performance characteristics Option
- IP Class 54 driving and pump motors – Expanded service area
- Application of Dual Micom ZAPI Controller
- Enhanced energy efficiency by 8.2%
- Application of power selection button for drive and pump motors

High on comfort and efficiency

- Ergonomically redesigned operator room
- A new cluster with superior visibility that can be manipulated easily
- Hood fixation-type hydraulic control lever
- Optimum step height and width for convenient getting on/off
- A/C & heater with improved cooling and heating performance **OPTION**
- Noise in the driver's seat is reduced by 6.5 dB
- Two-channel wireless front/rear cameras **OPTION**

High on productivity

- Speed limit
- Seat belt interlock **OPTION**
- Speed limiting function when traveling with elevated load **OPTION**
- Operator Presence Sensing System (OPSS)
- Antiroll back system prevents the machine from rolling back after coming to a stop on an incline
- Safety warning lamp - Blue spots and red zones **OPTION**

High on comfort and efficiency

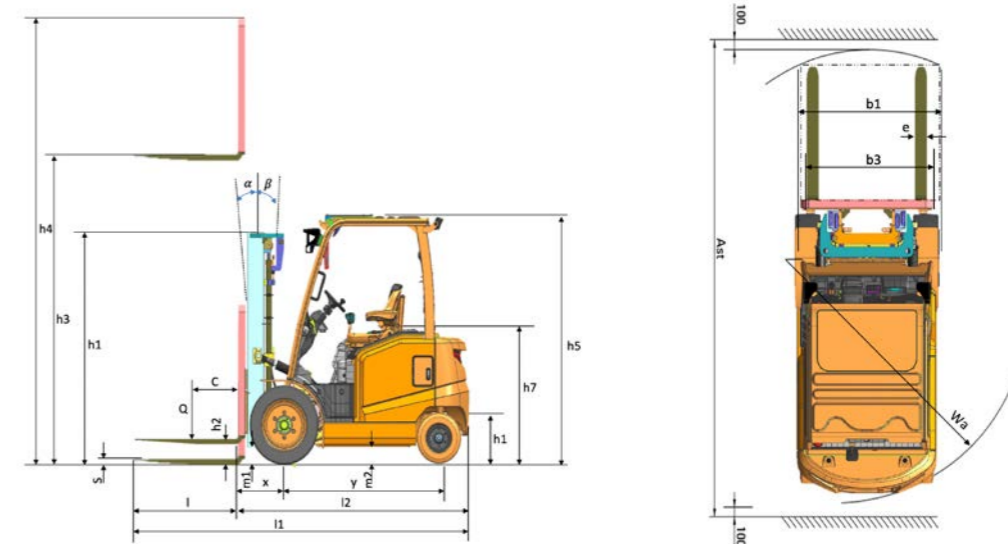
- A battery replacement system that doesn't require a crane structure
- Battery connector specialized for charging
- Controller with high reliability and self-diagnosis capability
- Sealed micro switches - MCV
- Hydraulic motor room cooling system without air vortex
- Long-lifetime LED lamps - Front/Rear work lamps and turn signals

25/30/35 BE-X SPECIFICATIONS

IDENTIFICATION				
	Manufacturer		Hyundai	
	Manufacturer's type designation		25BE-X	30BE-X
1.1	Drive		Electric-48V	Electric-80V
1.2	Type Of Operation		seated	seated
1.3	Load Capacity / Rated Load	kg	2500	3000
1.4	Load Center Distance	mm	500	500
1.5	Load Distance, Center Of Drive Axle To Fork	mm	473	473
1.6	Wheelbase	mm	1490	1680
WEIGHTS				
2.1	Service Weight	Kg	4484	4947
2.2	Axle Loading, Loaded Front/Rear	Kg	6107/877	7020/927
2.3	Axle Loading, Unloaded Front/Rear	kg	1974/2510	2282/2665
WHEELS, CHASSIS				
3.1	Tires: Solid Rubber, Pneumatic, Non Marking		SP	SP
3.2	Tire Size, Front		28x9-15/-16	28x9-15
3.3	Tire Size, Rear		18x7-8/-16	200/50-10
3.5	Wheels, Number Front / Rear		2x/2	2x/2
3.6	Tread, Front	b10 (mm)	1005	1005
3.7	Tread, Rear	b11 (mm)	996	996
BASIC DIMENSIONS				
4.1	Tilt Of Mast Forward/Backward	Degrees	6/10	6/10
4.2	Height, Mast Lowered	H1 (mm)	2040	2040
4.3	Free Lift	H2 (mm)	150	150
4.4	Lift Height	H3 (mm)	3005	3005
4.5	Height, Mast Extended	H4 (mm)	4185	4185
4.7	Height Of Overhead Guard (Cabin)	H5 (mm)	2175	2175
4.8	Seat Height / Stand Height Rel. To Sip	H7 (mm)	1200	1200
4.12	Coupling Height	H10 (mm)	480	480
4.19	Overall Length	l1 (mm)	3410	3600
4.20	Length To Face Of Forks	L2 (mm)	2360	2553
4.21	Overall Width	b1 (mm)	1215	1215
4.22	Fork Dimensions	l x e x s (mm)	45x100x1050	45x125x1050
4.23	Fork Carriage Iso 2328, Class / Type A, B		II/A	III/A
4.24	Fork-Carriage Width	b3 (mm)	1102	1102
4.31	Ground Clearance, Below Mast, Loaded	m1 (mm)	142	142
4.32	Ground Clearance, Center Of Wheelbase	M2 (mm)	160	160
4.34.1	Aisle Width For Pallets 1000 X 1200 Crossways	Ast (mm)	3858	4060
4.34.2	Aisle Width For Pallets 800 X 1200 Lengthways	Ast (mm)	4008	4210
4.35	Turning Radius	Wa (mm)	2135	2337
PERFORMANCE DATA				
5.1	Travel Speed, Loaded / Unloaded	Km/h	14/15	14/15
5.2	Lift Speed, Loaded / Unloaded	Mm/s	300/450	300/450
5.3	Lowering Speed, Loaded / Unloaded	Mm/s	500/350	500/350
5.6	Max. Drawbar Pull, Loaded / Unloaded	N	13328/-	14210/-
5.8	Max. Gradeability, Loaded / Unloaded	%	15	15
5.10	Service Brake		Drum brake	Drum brake
MOTOR / BATTERY				
6.1	Drive Motor Rating S2 60 Min	kW	10	14
6.2	Lift Motor Rating At S3 15%	kW	14	16.5
6.4	Battery Voltage, Nominal Capacity (Opt)	V/Ah	48/600(660)	80/500(550)
6.5	Battery Weight	kg	950	1295
6.7	Battery Compartment Dimensions L/W/H	mm	984x466x744	984x660x744
OTHER DETAILS				
8.1	Type Of Drive Control		AC	AC
8.2	Operating Pressure, System / Attachments	bar	190/130	190/130
8.3	Oil Volume For Attachments	LPM	40	40

25/30/35 BE-X DIMENSIONS

DIMENSIONS



25/30/35 BE-X MAST SPECIFICATION

25BE-X MAST

Mast Type	Maximum Fork Height (mm)	Overall Height (Lowered) (mm)	Free Lift Height (mm)			Mast Tilt (deg)		Load capacity without Sideshift 500mm LC	Truck Weight (Unloaded) (kg) 500mm LC	Truck Weight (Unloaded) (kg)	
			With Load Backrest	Without Load Backrest	Without Load Backrest (3/4-SPOOL)	FWD	BWD				
2 Stage Limited Free Lift	V300	3005	2040	155	155	155	6	10	2500	2500	4484
	V330	3305	2190	155	155	155	6	10	2500	2460	4508
	V400	4005	2590	155	155	155	6	10	2460	2320	4580
	V450	4505	2890	155	155	155	6	6	2350	2230	4651
2 Stage Full Free Lift	V500	5005	3140	155	155	155	6	6	2260	2140	4693
	VF295	2955	2040	860	1314	1314	6	6	2500	2500	4526
	VF325	3255	2190	1010	1464	1464	6	6	2500	2450	4560
	VF345	3455	2290	1110	1564	1564	6	6	2500	2410	4583
3 Stage Full Free Lift	TF430	4305	2040	860	1314	1175	6	6	2370	2240	4671
	TF450	4505	2140	960	1414	1325	6	6	2330	2200	4692
	TF470	4705	2190	1010	1464	1325	6	6	2290	2170	4705
	TF500	5005	2290	1110	1564	1425	6	6	2240	2120	4727
	TF550	5505	2490	1310	1764	1780	6	6	2150	2030	4773
	TF600	6005	2690	1510	1964	1875	6	6	2050	1940	4865

V: 2 Stage wide visibility lift mast / VF: 2 Stage wide visibility full free lift mast / TF: Triplex full free lift mast

*: Standard

25/30/35 BE-X MAST SPECIFICATION

25/30/35 BE-X LOAD CAPACITY

30BE-X MAST

Mast Type	Maximum Fork Height (mm)	Overall Height (Lowered) (mm)	Free Lift Height (mm)			Mast Tilt (deg)		Load capacity without Sideshift		Truck Weight (Unloaded) (kg)	Truck Weight (Unloaded) (kg)
			With Load Backrest	Without Load Backrest	Without Load Backrest (3/4-SPOOL)	FWD	BWD	500mm LC	500mm LC		
2 Stage Limited Free Lift	V300	3005	2040	155	155	155	6	10	3000	3000	4947
	V330	3305	2190	155	155	155	6	10	3000	2970	4973
	V400	4005	2590	155	155	155	6	10	2980	2810	5049
	V450	4505	2890	155	155	155	6	6	2860	2700	5122
	V500	5005	3140	155	155	155	6	6	2750	2590	5167
2 Stage Full Free Lift	VF295	2955	2040	860	1314	1314	6	6	3000	3000	5048
	VF325	3255	2190	1010	1464	1464	6	6	3000	2990	5083
	VF345	3455	2290	1110	1564	1564	6	6	3000	2900	5119
3 Stage Full Free Lift	TF430	4305	2040	860	1314	1175	6	6	2890	2710	5146
	TF450	4505	2140	960	1414	1325	6	6	2840	2670	5169
	TF470	4705	2190	1010	1464	1325	6	6	2800	2630	5182
	TF500	5005	2290	1110	1564	1425	6	6	2740	2570	5204
	TF550	5505	2490	1310	1764	1780	6	6	2630	2470	5255
	TF600	6005	2690	1510	1964	1875	6	6	2520	2370	5349

V : 2 Stage wide visibility lift mast / VF : 2 Stage wide visibility full free lift mast / TF : Triplex full free lift mast

* : Standard

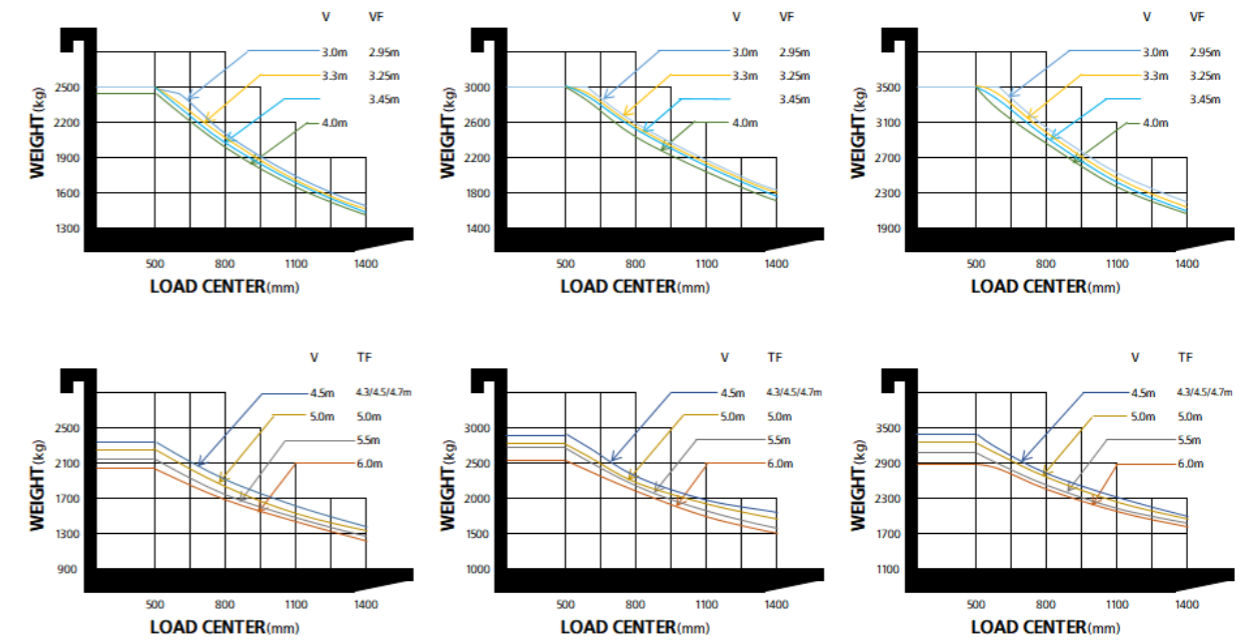
35BE-X MAST

Mast Type	Maximum Fork Height (mm)	Overall Height (Lowered) (mm)	Free Lift Height (mm)			Mast Tilt (deg)		Load capacity without Sideshift		Truck Weight (Unloaded) (kg)	Truck Weight (Unloaded) (kg)
			With Load Backrest	Without Load Backrest	Without Load Backrest (3/4-SPOOL)	FWD	BWD	500mm LC	500mm LC		
2 Stage Limited Free Lift	V300	3005	2040	155	155	155	6	10	3500	3500	5272
	V330	3305	2190	155	155	155	6	10	3500	3440	5298
	V400	4005	2590	155	155	155	6	10	3460	3250	5374
	V450	4505	2890	155	155	155	6	6	3320	3120	5447
	V500	5005	3140	155	155	155	6	6	3200	3010	5492
2 Stage Full Free Lift	VF295	2955	2040	860	1314	1314	6	6	3500	3480	5373
	VF325	3255	2190	1010	1464	1464	6	6	3500	3390	5408
	VF345	3455	2290	1110	1564	1564	6	6	3500	3340	5444
3 Stage Full Free Lift	TF430	4305	2040	860	1314	1175	6	6	3350	3140	5471
	TF450	4505	2140	960	1414	1325	6	6	3300	3090	5494
	TF470	4705	2190	1010	1464	1325	6	6	3250	3050	5507
	TF500	5005	2290	1110	1564	1425	6	6	3180	2980	5529
	TF550	5505	2490	1310	1764	1780	6	6	3060	2870	5580
	TF600	6005	2690	1510	1964	1875	6	6	2810	2690	5674

V : 2 Stage wide visibility lift mast / VF : 2 Stage wide visibility full free lift mast / TF : Triplex full free lift mast

* : Standard

25BE-X 30BE-X 35BE-X



STANDARD/OPTIONAL EQUIPMENT

MODEL	25BE-X	30BE-X	35BE-X
OPERATION ROOM	●	●	●
Overheadguard (Height 2175mm)	□	□	□
Full Cabin	□	□	□
Partial Cabin (Top, Front, Rear, Wiper)	□	□	□
A/C, heater	□	□	□
Grammer Seat + Belt + Arm rest + Belt switch	□	□	□
Grammer Seat + Belt + Arm rest	□	□	□
Non Suspension Seat + Belt + OPSS	●	●	●
Others - Backrest	●	●	●
Rear Grip with Horn Button	□	□	□
MAST			
Mast: 2 Stage V (3,000mm)	●	●	●
Mast: 2 Stage VF, 3 Stage TF	□	□	□
Fork: Std. - 1,050mm	●	●	●
Fork: Opt. - 900mm/1,150mm ~ 2,400mm	□	□	□
Carriage: Hook	●	●	●
Hook Carriage with integrated SideShift	□	□	□
Hook Carriage with integrated SideShift and Fork Positioner	□	□	□
Hook on SideShifter	□	□	□
BATTERY			
Lead acid - 25BE-X 48V/600Ah, 30/35BE-X 80V/500Ah	□	□	□
Lead acid - 25BE-X 48V/660Ah, 30/35BE-X 80V/550Ah	□	□	□
Li-ion - 25BE-X 51.2V/450Ah, 30/35BE-X 83.2V/450Ah	□	□	□
Charger: Lead acid - 3P 220/380/440V, 50/60Hz	□	□	□
Charger: Li-Ion - 3P 380/440V, 50/60Hz	□	□	□
Battery Trolley (Narrow/Wide)	□	□	□
Canopy	□	□	□

MODEL	25BE-X	30BE-X	35BE-X
HYDRAULIC			
2 Spool MCV	□	□	□
3 Spool MCV	●	●	●
4 Spool MCV	□	□	□
Piping (V/VF/TF)	□	□	□
VG 46 Oil	●	●	●
VG 68 Oil for Tropical Area	□	□	□
VG 15 Oil for Cold Area	□	□	□
TYRES			
Pneumatic Tyre	□	□	N/A
Solid Tyre	●	●	●
Non-Marking Tyre	□	□	□
VISIBILITY			
Front LED Lamp	□	□	□
Front and Rear lamp	●	●	●
LED Beacon Lamp	●	●	●
Red Zone	□	□	□
Blue Spot	□	□	□
Red Zone + Blue Spot	□	□	□
Side LH/RH & Panorama Mirror	□	□	□
Rear camera	□	□	□
Front & rear camera	□	□	□
SAFETY / CONVENIENCE			
Load Sensor	□	□	□
OPSS - Travel	●	●	●
OPSS - Travel & Mast	●	●	●
Travel Alarm	●	●	●
Seatbelt Interlock	●	●	●

● Standard
□ Optional

HYUNDAI



HD Hyundai Construction Equipment Europe nv, Hyundailaan 4,
3980 Tessenderlo, Belgium. Tel: (32) 14-56-2200 Fax: (32) 14-59-3405

Specifications and design are subject to change without notice.
Pictures of HD Hyundai Material Handling Europe products may
show other than standard equipment. This brochure is intended for
European markets only.

READY TO CHANGE YOUR WORLD?

Contact your HD Hyundai dealer.
hyundai-mh.eu/en/dealer-locator